

B

**TSB 3709/4309
9 TON AXLE
(WITH PIN)
TYPE**

Always the Best...

TSB 3709/4309 9 TON AXLE (WITH PIN) TYPE



Caliper Seals Repair Kit

OEM NUMBER -B 09.801.07.62.0

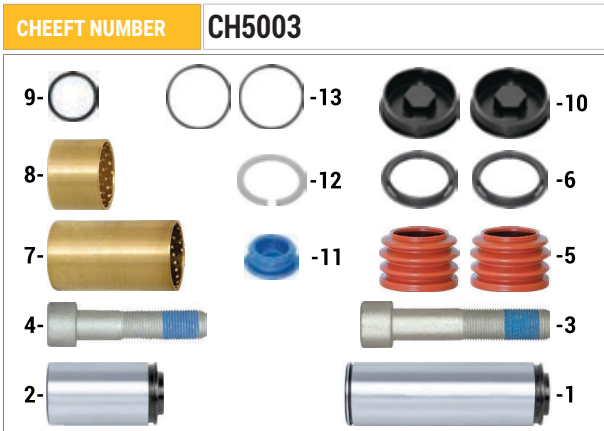
| NO | CHEEFT NO | DESCRIPTIONS | DIMENSION | QTY |
|----|-----------|----------------|-------------------|-----|
| 1 | CH5505 | Inner Boot | | 2 |
| 2 | CH5506 | Plastic Washer | | 2 |
| 3 | CH5507 | Bronze Bush | Ø41 x Ø37 x 73 mm | 1 |
| 4 | CH5508 | Bronze Bush | Ø41 x Ø37 x 30 mm | 1 |
| 5 | CH5509 | O-ring | | 1 |
| 6 | CH5511 | Plug | | 1 |
| 7 | CH5510 | Plastic Cap | | 2 |
| 8 | CH5545 | O-ring | | 2 |



Caliper Guides & Seals Repair Kit

OEM NUMBER

| NO | CHEEFT NO | DESCRIPTIONS | DIMENSION | QTY |
|----|-----------|--------------|--------------------|-----|
| 1 | CH5501 | Guide Pin | Ø37 x 123 mm | 1 |
| 2 | CH5502 | Guide Pin | Ø36,40 x 70 mm | 1 |
| 3 | CH5503 | Bolt | M16 x 1,5 x 100 mm | 1 |
| 4 | CH1511 | Bolt | M16 X 1,5 X 70 mm | 1 |
| 5 | CH5507 | Bronze Bush | Ø41 x Ø37 x 73 mm | 1 |
| 6 | CH5508 | Bronze Bush | Ø41 x Ø37 x 30 mm | 1 |
| 7 | CH5509 | O-ring | | 1 |
| 8 | CH5510 | Plastic Cap | | 2 |
| 9 | CH5518 | Pin Circlip | Ø43 x 1,5 mm | 1 |
| 10 | CH5545 | O-ring | | 2 |



OEM NUMBER

| NO | CHEEFT NO | DESCRIPTIONS | DIMENSION | QTY |
|----|-----------|----------------|--------------------|-----|
| 1 | CH5501 | Guide Pin | Ø37 x 123 mm | 1 |
| 2 | CH5502 | Guide Pin | Ø36,40 x 70 mm | 1 |
| 3 | CH5503 | Bolt | M16 x 1,5 x 100 mm | 1 |
| 4 | CH1511 | Bolt | M16 X 1,5 X 70 mm | 1 |
| 5 | CH5505 | Inner Boot | | 2 |
| 6 | CH5506 | Plastic Washer | | 2 |
| 7 | CH5507 | Bronze Bush | Ø41 x Ø37 x 73 mm | 1 |
| 8 | CH5508 | Bronze Bush | Ø41 x Ø37 x 30 mm | 1 |
| 9 | CH5509 | O-ring | | 1 |
| 10 | CH5510 | Plastic Cap | | 2 |
| 11 | CH5511 | Plug | | 1 |
| 12 | CH5518 | Pin Circlip | Ø43 x 1,5 mm | 1 |
| 13 | CH5545 | O-ring | | 2 |

TSB 3709/4309 9 TON AXLE (WITH PIN) TYPE



Caliper Guides & Pad Retainer Repair Kit

OEM NUMBER

| NO | CHEEFT NO | DESCRIPTIONS | DIMENSION | QTY |
|----|-----------|---------------------------------|--------------------|-----|
| 1 | CH5501 | Guide Pin | Ø37 x 123 mm | 1 |
| 2 | CH5502 | Guide Pin | Ø36,40 x 70 mm | 1 |
| 3 | CH5503 | Bolt | M16 x 1,5 x 100 mm | 1 |
| 4 | CH1511 | Bolt | M16 X 1,5 X 70 mm | 1 |
| 5 | CH5506 | Plastic Washer | | 2 |
| 6 | CH5024 | Caliper Pad Retainer Repair Kit | | 1 |



Caliper Pad Retainer Repair Kit

OEM NUMBER -B 09.801.07.68.1

| NO | CHEEFT NO | DESCRIPTIONS | DIMENSION | QTY |
|----|-----------|---------------------------------|-----------|-----|
| 1 | CH5024 | Caliper Pad Retainer Repair Kit | | 1 |
| 2 | CH5532 | Brake Pad Retainer | | 1 |



Caliper Guides & Pad Retainer Repair Kit

OEM NUMBER -B 09.801.05.81.0

| NO | CHEEFT NO | DESCRIPTIONS | DIMENSION | QTY |
|----|-----------|---------------------------------|--------------------|-----|
| 1 | CH5501 | Guide Pin | Ø37 x 123 mm | 1 |
| 2 | CH5502 | Guide Pin | Ø36,40 x 70 mm | 1 |
| 3 | CH5503 | Bolt | M16 x 1,5 x 100 mm | 1 |
| 4 | CH1511 | Bolt | M16 X 1,5 X 70 mm | 1 |
| 5 | CH5506 | Plastic Washer | | 2 |
| 6 | CH5026 | Caliper Pad Retainer Repair Kit | | 1 |

B TSB 3709/4309
9 TON AXLE
(WITH PIN) TYPE

TSB 3709/4309 9 TON AXLE (WITH PIN) TYPE

CHEEFT NUMBER CH5007



Caliper Tappet & Boot Repair Kit

OEM NUMBER -B 09.801.07.63.1 - 05.801.50.90.0

| NO | CHEEFT NO | DESCRIPTIONS | DIMENSION | QTY |
|----|-----------|-------------------|-----------|-----|
| 1 | CH5519 | Tappet (with Pin) | | 2 |
| 2 | CH5515 | Clamp | | 2 |
| 3 | CH5513 | Tappet Boot | | 2 |
| 4 | CH5514 | Locker | | 2 |

CHEEFT NUMBER CH5010

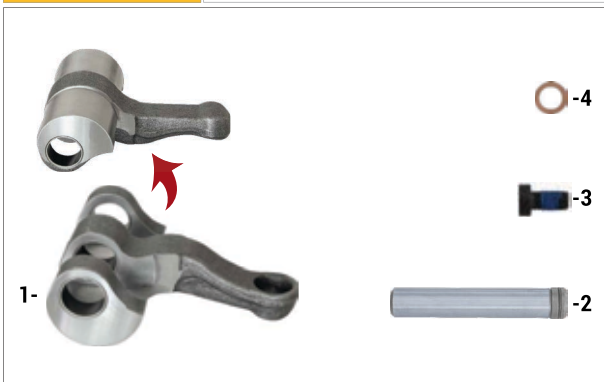


Caliper Cover Mechanism

OEM NUMBER -B 05.010.95.31.0

| NO | CHEEFT NO | DESCRIPTIONS | DIMENSION | QTY |
|----|-----------|------------------|------------|-----|
| 1 | CH5520 | Cover Mechanism | | 1 |
| 2 | CH1573 | Bolt | M8 x 16 mm | 8 |
| 3 | CH5521 | Mechanism Washer | | 1 |

CHEEFT NUMBER CH5022




Lever Repair Kit

OEM NUMBER


| NO | CHEEFT NO | DESCRIPTIONS | DIMENSION | QTY |
|----|-----------|--------------|------------|-----|
| 1 | CH5525 | Lever | | 1 |
| 2 | CH5524 | Lever Pin | | 1 |
| 3 | CH1573 | Bolt | M8 x 16 mm | 1 |
| 4 | CH5527 | Washer | | 1 |

B TSB 3709/4309
9 TON AXLE
(WITH PIN) TYPE


TSB 3709/4309 9 TON AXLE (WITH PIN) TYPE

| | |
|---|---------------|
| CHEEFT NUMBER | CH5011 |
|  | |
| Mechanism Washer Kit | |
| OEM NUMBER | |

| NO | CHEEFT NO | DESCRIPTIONS | DIMENSION | QTY |
|----|---------------|-------------------------|-----------|-----|
| 1 | CH5521 | Mechanism Washer | | 10 |

| | |
|--|---------------|
| CHEEFT NUMBER | CH5012 |
|  | |
| Shaft Roller Bearing Kit | |
| OEM NUMBER | |


| NO | CHEEFT NO | DESCRIPTIONS | DIMENSION | QTY |
|----|---------------|-----------------------------|-----------|-----|
| 1 | CH5522 | Shaft Roller Bearing | | 10 |

| | |
|---|---------------|
| CHEEFT NUMBER | CH5014 |
|  | |
| Calibration Bolt Housing Kit | |
| OEM NUMBER | |


| NO | CHEEFT NO | DESCRIPTIONS | DIMENSION | QTY |
|----|---------------|---------------------------------|-----------|-----|
| 1 | CH5523 | Calibration Bolt Housing | | 5 |

B TSB 3709/4309
9 TON AXLE
(WITH PIN) TYPE

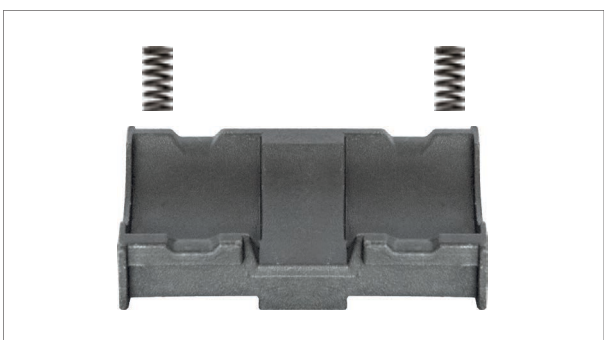
TSB 3709/4309 9 TON AXLE (WITH PIN) TYPE

| | |
|---|---------------|
| CHEEFT NUMBER | CH5015 |
|  | |
| Caliper Plug Kit | |
| OEM NUMBER | |

| NO | CHEEFT NO | DESCRIPTIONS | DIMENSION | QTY |
|----|---------------|--------------|-----------|-----|
| 1 | CH5526 | <i>Plug</i> | | 5 |

| | |
|--|---------------|
| CHEEFT NUMBER | CH5031 |
|  | |
| Lever Bush Kit | |
| OEM NUMBER | |


| NO | CHEEFT NO | DESCRIPTIONS | DIMENSION | QTY |
|----|---------------|--------------|---|-----|
| 1 | CH5531 | <i>Bush</i> | $\varnothing 20 \times 18 \times 12 \text{ mm}$ | 2 |
| 2 | CH5530 | <i>Bush</i> | $\varnothing 20 \times 18 \times 20 \text{ mm}$ | 1 |




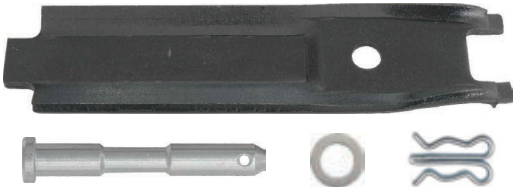
| | |
|--------------------------------|---------------|
| Mechanism Bearing House | |
| CHEEFT NUMBER | CH5016 |
| OEM NUMBER | |

B TSB 3709/4309
9 TON AXLE
(WITH PIN) TYPE


TSB 3709/4309 9 TON AXLE (WITH PIN) TYPE

| | | |
|---|--------------------------|-------------------|
|  | Mechanism Housing | |
| | CHEEFT NUMBER | CH5017 |
| | OEM NUMBER | -B 01.127.38.02.0 |

| | | |
|---|----------------------------|--------|
|  | Adjusting Mechanism | |
| | CHEEFT NUMBER | CH5018 |
| | OEM NUMBER | |

| | | |
|---|--|-------------------|
|  | Caliper Pad Retainer Repair Kit | |
| | CHEEFT NUMBER | CH5024 |
| | OEM NUMBER | -B 03.001.00.54.C |

| | | |
|---|------------------------|--------|
|  | Bridge Assembly | |
| | CHEEFT NUMBER | CH5013 |
| | OEM NUMBER | |

| | | |
|---|------------------------|--------|
|  | Roller Bearings | |
| | CHEEFT NUMBER | CH5005 |
| | OEM NUMBER | |

B TSB 3709/4309
9 TON AXLE
(WITH PIN) TYPE

TSB 3709/4309 9 TON AXLE (WITH PIN) TYPE



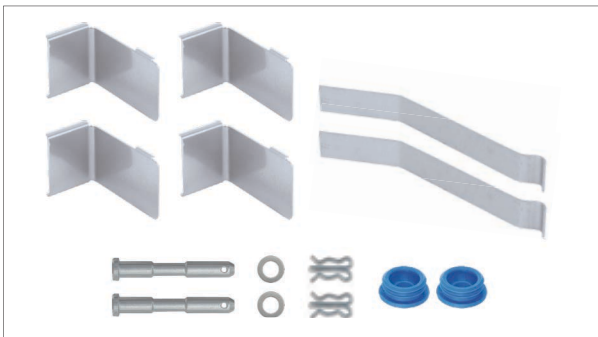
| Flat Bearings | |
|----------------------|---------------|
| CHEEFT NUMBER | CH5006 |
| OEM NUMBER | |



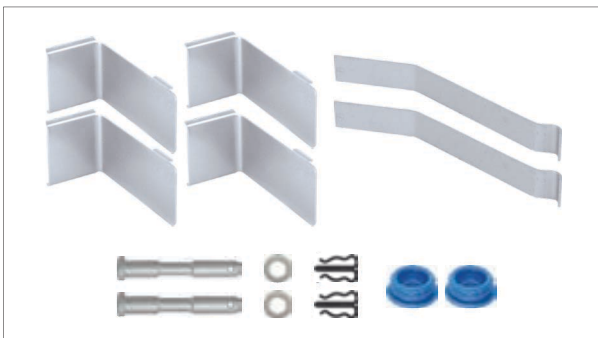
| Calibration Bolt | |
|-------------------------|---------------|
| CHEEFT NUMBER | CH5008 |
| OEM NUMBER | |



| Mechanism Bearing House | |
|--------------------------------|---------------|
| CHEEFT NUMBER | CH5009 |
| OEM NUMBER | |



| Caliper Pad Retainer Repair Kit | |
|--|---------------|
| CHEEFT NUMBER | CH5020 |
| OEM NUMBER | |



| Caliper Pad Retainer Repair Kit | |
|--|---------------|
| CHEEFT NUMBER | CH5021 |
| OEM NUMBER | |

B TSB 3709/4309
9 TON AXLE
(WITH PIN) TYPE

TSB 3709/4309 9 TON AXLE (WITH PIN) TYPE

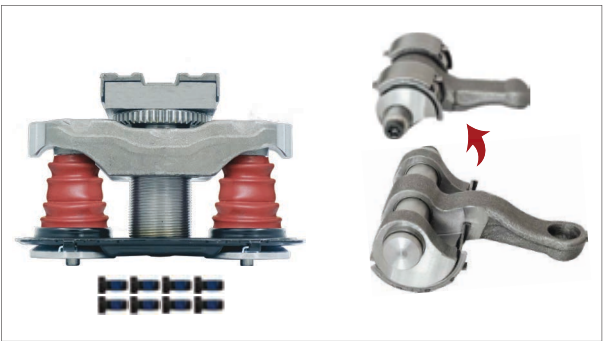
CHEEFT NUMBER **CH5034**



Caliper Lever Repair Kit

OEM NUMBER

| NO | CHEEFT NO | DESCRIPTIONS | DIMENSION | QTY |
|----|---------------|------------------|-----------|-----|
| 1 | CH5005 | Roller Bearings | | 1 |
| 2 | CH5022 | Lever Repair Kit | | 1 |



Caliper Mechanism Set

CHEEFT NUMBER **CH5032**

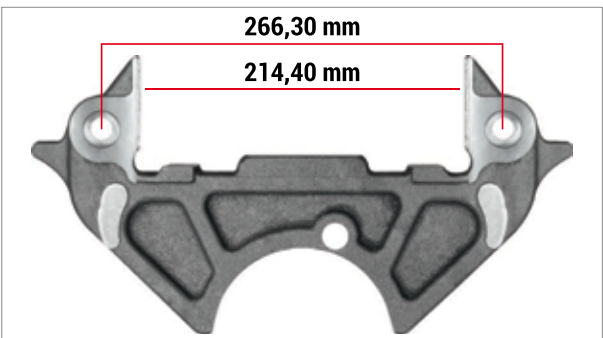
OEM NUMBER



Spanner

CHEEFT NUMBER **CH5080**

OEM NUMBER



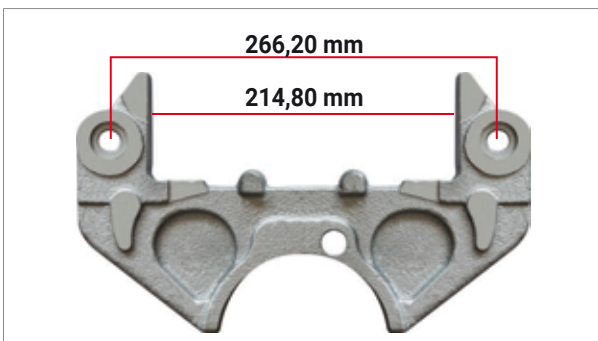
Caliper Carrier (22 / 228 brake pads)

CHEEFT NUMBER **CH5300**

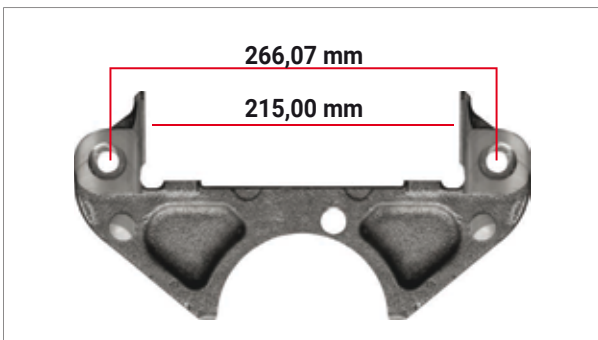
OEM NUMBER

B TSB 3709/4309
9 TON AXLE
(WITH PIN) TYPE

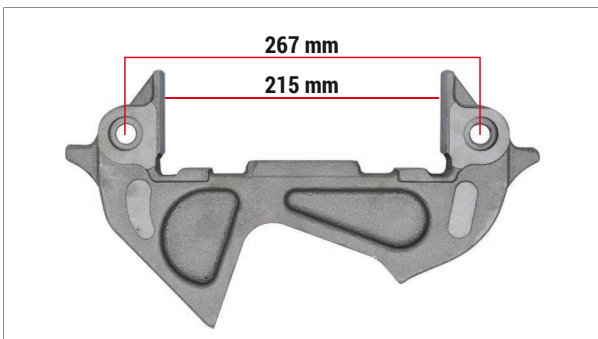
TSB 3709/4309 9 TON AXLE (WITH PIN) TYPE



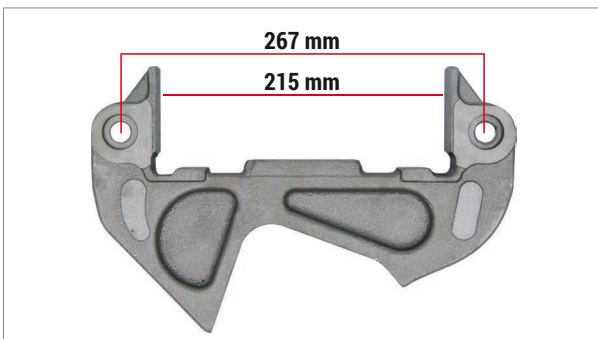
| Caliper Carrier (22 New Model) | |
|---------------------------------------|---------------|
| CHEEFT NUMBER | CH5301 |
| OEM NUMBER | |



| Caliper Carrier (19 / 227 brake pads) | |
|--|---------------|
| CHEEFT NUMBER | CH5302 |
| OEM NUMBER | |



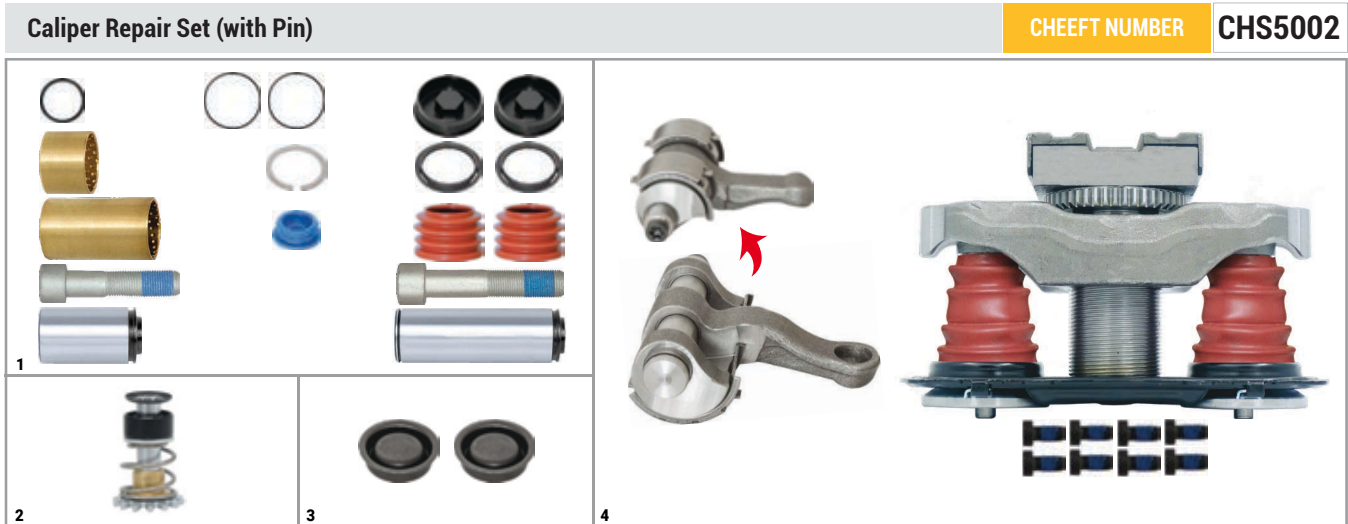
| Caliper Carrier | |
|------------------------|-----------------------|
| CHEEFT NUMBER | CH5303 |
| OEM NUMBER | 01.101.56.01.0 |



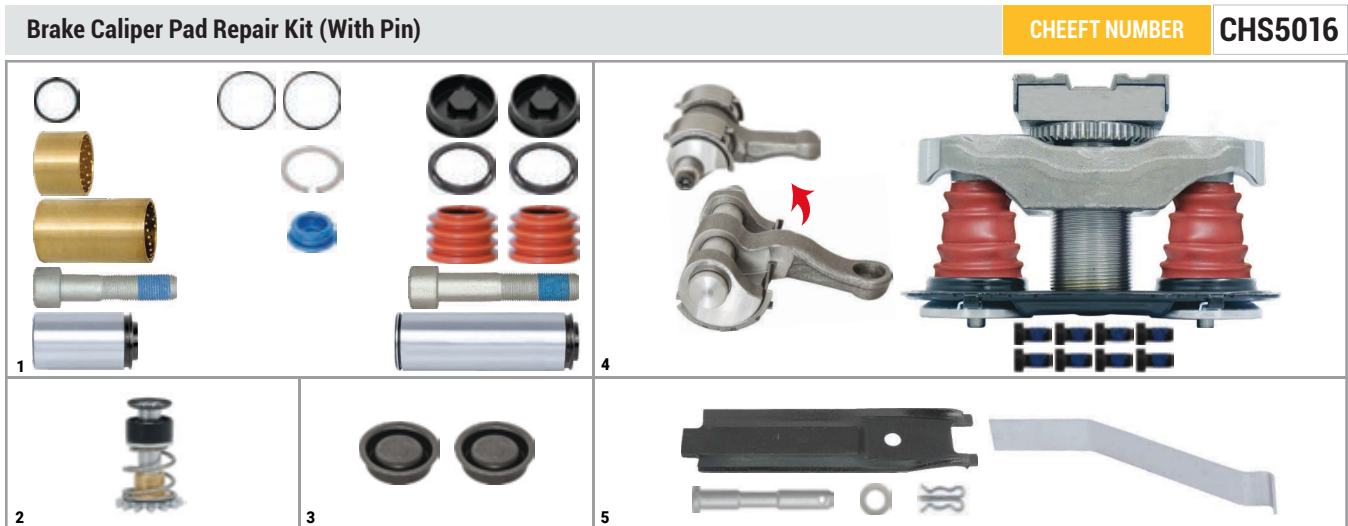
| Caliper Carrier | |
|------------------------|-----------------------|
| CHEEFT NUMBER | CH5304 |
| OEM NUMBER | 01.101.56.01.0 |

B TSB 3709/4309
9 TON AXLE
(WITH PIN) TYPE

TSB 3709/4309 9 TON AXLE (WITH PIN) TYPE



| NO | CHEEFT NO | DESCRIPTIONS | QTY |
|----|-----------|-----------------------------------|-----|
| 1 | CH5003 | Caliper Guides & Seals Repair Kit | 1 |
| 2 | CH5018 | Adjusting Mechanism | 1 |
| 3 | CH5526 | Plug | 2 |
| 4 | CH5032 | Caliper Mechanism Set | 1 |



| NO | CHEEFT NO | DESCRIPTIONS | QTY |
|----|-----------|-----------------------------------|-----|
| 1 | CH5003 | Caliper Guides & Seals Repair Kit | 1 |
| 2 | CH5018 | Adjusting Mechanism | 1 |
| 3 | CH5526 | Plug | 2 |
| 4 | CH5032 | Caliper Mechanism Set | 1 |
| 3 | CH5026 | Caliper Pad Retainer Repair Kit | 1 |

B TSB 3709/4309
9 TON AXLE
(WITH PIN) TYPE

B

**TSB 3709/4309
9 TON AXLE
(WITHOUT PIN)
TYPE**

Always the Best...

B

**TSB 3709/4309
9 TON AXLE
(WITHOUT PIN)
TYPE**

Always the Best...

TSB 3709/4309 9 TON AXLE (WITHOUT PIN) TYPE

CHEEFT NUMBER CH5001

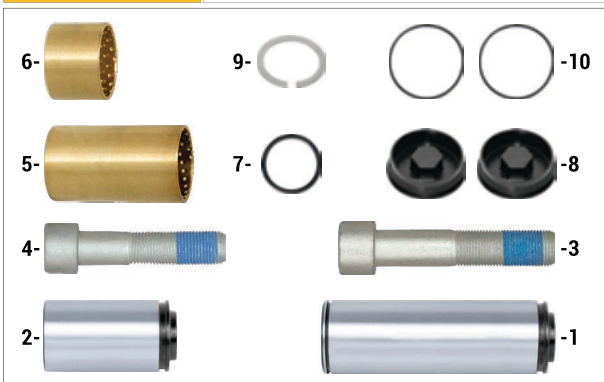


Caliper Seals Repair Kit

OEM NUMBER -B 09.801.07.62.0

| NO | CHEEFT NO | DESCRIPTIONS | DIMENSION | QTY |
|----|-----------|----------------|-------------------|-----|
| 1 | CH5505 | Inner Boot | | 2 |
| 2 | CH5506 | Plastic Washer | | 2 |
| 3 | CH5507 | Bronze Bush | Ø41 x Ø37 x 73 mm | 1 |
| 4 | CH5508 | Bronze Bush | Ø41 x Ø37 x 30 mm | 1 |
| 5 | CH5509 | O-ring | | 1 |
| 6 | CH5511 | Plug | | 1 |
| 7 | CH5510 | Plastic Cap | | 2 |
| 8 | CH5545 | O-ring | | 2 |

CHEEFT NUMBER CH5002



Caliper Guides & Seals Repair Kit

OEM NUMBER

| NO | CHEEFT NO | DESCRIPTIONS | DIMENSION | QTY |
|----|-----------|--------------|--------------------|-----|
| 1 | CH5501 | Guide Pin | Ø37 x 123 mm | 1 |
| 2 | CH5502 | Guide Pin | Ø36,40 x 70 mm | 1 |
| 3 | CH5503 | Bolt | M16 x 1,5 x 100 mm | 1 |
| 4 | CH1511 | Bolt | M16 X 1,5 X 70 mm | 1 |
| 5 | CH5507 | Bronze Bush | Ø41 x Ø37 x 73 mm | 1 |
| 6 | CH5508 | Bronze Bush | Ø41 x Ø37 x 30 mm | 1 |
| 7 | CH5509 | O-ring | | 1 |
| 8 | CH5510 | Plastic Cap | | 2 |
| 9 | CH5518 | Pin Circlip | Ø43 x 1,5 mm | 1 |
| 10 | CH5545 | O-ring | | 2 |

CHEEFT NUMBER CH5003



OEM NUMBER

| NO | CHEEFT NO | DESCRIPTIONS | DIMENSION | QTY |
|----|-----------|----------------|--------------------|-----|
| 1 | CH5501 | Guide Pin | Ø37 x 123 mm | 1 |
| 2 | CH5502 | Guide Pin | Ø36,40 x 70 mm | 1 |
| 3 | CH5503 | Bolt | M16 x 1,5 x 100 mm | 1 |
| 4 | CH1511 | Bolt | M16 X 1,5 X 70 mm | 1 |
| 5 | CH5505 | Inner Boot | | 2 |
| 6 | CH5506 | Plastic Washer | | 2 |
| 7 | CH5507 | Bronze Bush | Ø41 x Ø37 x 73 mm | 1 |
| 8 | CH5508 | Bronze Bush | Ø41 x Ø37 x 30 mm | 1 |
| 9 | CH5509 | O-ring | | 1 |
| 10 | CH5510 | Plastic Cap | | 2 |
| 11 | CH5511 | Plug | | 1 |
| 12 | CH5518 | Pin Circlip | Ø43 x 1,5 mm | 1 |
| 13 | CH5545 | O-ring | | 2 |

TSB 3709/4309 9 TON AXLE (WITHOUT PIN) TYPE

CHEEFT NUMBER CH5025

Caliper Guides & Pad Retainer Repair Kit

OEM NUMBER

| NO | CHEEFT NO | DESCRIPTIONS | DIMENSION | QTY |
|----|-----------|---------------------------------|--------------------|-----|
| 1 | CH5501 | Guide Pin | Ø37 x 123 mm | 1 |
| 2 | CH5502 | Guide Pin | Ø36,40 x 70 mm | 1 |
| 3 | CH5503 | Bolt | M16 x 1,5 x 100 mm | 1 |
| 4 | CH1511 | Bolt | M16 X 1,5 X 70 mm | 1 |
| 5 | CH5506 | Plastic Washer | | 2 |
| 6 | CH5024 | Caliper Pad Retainer Repair Kit | | 1 |

CHEEFT NUMBER CH5026

Caliper Pad Retainer Repair Kit

OEM NUMBER -B 09.801.07.68.1

| NO | CHEEFT NO | DESCRIPTIONS | DIMENSION | QTY |
|----|-----------|---------------------------------|-----------|-----|
| 1 | CH5024 | Caliper Pad Retainer Repair Kit | | 1 |
| 2 | CH5532 | Brake Pad Retainer | | 1 |

CHEEFT NUMBER CH5027

Caliper Guides & Pad Retainer Repair Kit

OEM NUMBER -B 09.801.05.81.0

| NO | CHEEFT NO | DESCRIPTIONS | DIMENSION | QTY |
|----|-----------|---------------------------------|--------------------|-----|
| 1 | CH5501 | Guide Pin | Ø37 x 123 mm | 1 |
| 2 | CH5502 | Guide Pin | Ø36,40 x 70 mm | 1 |
| 3 | CH5503 | Bolt | M16 x 1,5 x 100 mm | 1 |
| 4 | CH1511 | Bolt | M16 X 1,5 X 70 mm | 1 |
| 5 | CH5506 | Plastic Washer | | 2 |
| 6 | CH5026 | Caliper Pad Retainer Repair Kit | | 1 |

B TSB 3709/4309
9 TON AXLE
(WITHOUT PIN TYPE)

TSB 3709/4309 9 TON AXLE (WITHOUT PIN) TYPE

CHEEFT NUMBER CH5004



Caliper Tappet & Boot Repair Kit

OEM NUMBER -B 09.801.07.63.0

| NO | CHEEFT NO | DESCRIPTIONS | DIMENSION | QTY |
|----|-----------|----------------------|-----------|-----|
| 1 | CH5512 | Tappet (without Pin) | | 2 |
| 2 | CH5515 | Clamp | | 2 |
| 3 | CH5513 | Tappet Boot | | 2 |
| 4 | CH5514 | Locker | | 2 |

CHEEFT NUMBER CH5010



Caliper Cover Mechanism

OEM NUMBER -B 05.010.95.31.0

| NO | CHEEFT NO | DESCRIPTIONS | DIMENSION | QTY |
|----|-----------|------------------|------------|-----|
| 1 | CH5520 | Cover Mechanism | | 1 |
| 2 | CH1573 | Bolt | M8 x 16 mm | 8 |
| 3 | CH5521 | Mechanism Washer | | 1 |

CHEEFT NUMBER CH5022




Lever Repair Kit

OEM NUMBER


| NO | CHEEFT NO | DESCRIPTIONS | DIMENSION | QTY |
|----|-----------|--------------|------------|-----|
| 1 | CH5525 | Lever | | 1 |
| 2 | CH5524 | Lever Pin | | 1 |
| 3 | CH1573 | Bolt | M8 x 16 mm | 1 |
| 4 | CH5527 | Washer | | 1 |

B TSB 3709/4309
9 TON AXLE
(WITHOUT PIN TYPE)

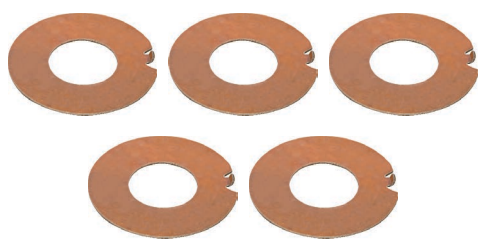
TSB 3709/4309 9 TON AXLE (WITHOUT PIN) TYPE

| | |
|---|---------------|
| CHEEFT NUMBER | CH5011 |
|  | |
| Mechanism Washer Kit | |
| OEM NUMBER | |

| NO | CHEEFT NO | DESCRIPTIONS | DIMENSION | QTY |
|----|---------------|-------------------------|-----------|-----|
| 1 | CH5521 | Mechanism Washer | | 10 |

| | |
|--|---------------|
| CHEEFT NUMBER | CH5012 |
|  | |
| Shaft Roller Bearing Kit | |
| OEM NUMBER | |


| NO | CHEEFT NO | DESCRIPTIONS | DIMENSION | QTY |
|----|---------------|-----------------------------|-----------|-----|
| 1 | CH5522 | Shaft Roller Bearing | | 10 |

| | |
|---|---------------|
| CHEEFT NUMBER | CH5014 |
|  | |
| Calibration Bolt Housing Kit | |
| OEM NUMBER | |


| NO | CHEEFT NO | DESCRIPTIONS | DIMENSION | QTY |
|----|---------------|---------------------------------|-----------|-----|
| 1 | CH5523 | Calibration Bolt Housing | | 5 |

B TSB 3709/4309
9 TON AXLE
(WITHOUT PIN TYPE)

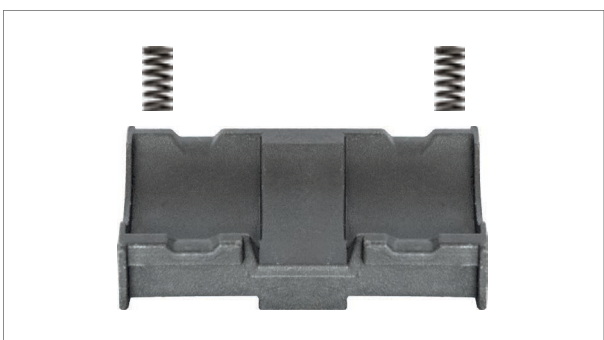
TSB 3709/4309 9 TON AXLE (WITHOUT PIN) TYPE

| | |
|---|---------------|
| CHEEFT NUMBER | CH5015 |
|  | |
| Caliper Plug Kit | |
| OEM NUMBER | |

| NO | CHEEFT NO | DESCRIPTIONS | DIMENSION | QTY |
|----|---------------|--------------|-----------|-----|
| 1 | CH5526 | <i>Plug</i> | | 5 |

| | |
|--|---------------|
| CHEEFT NUMBER | CH5031 |
|  | |
| Lever Bush Kit | |
| OEM NUMBER | |


| NO | CHEEFT NO | DESCRIPTIONS | DIMENSION | QTY |
|----|---------------|--------------|---|-----|
| 1 | CH5531 | <i>Bush</i> | $\varnothing 20 \times 18 \times 12 \text{ mm}$ | 2 |
| 2 | CH5530 | <i>Bush</i> | $\varnothing 20 \times 18 \times 20 \text{ mm}$ | 1 |




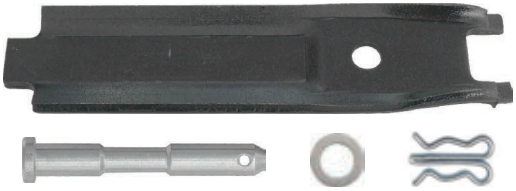
| | |
|--------------------------------|---------------|
| Mechanism Bearing House | |
| CHEEFT NUMBER | CH5016 |
| OEM NUMBER | |

B TSB 3709/4309
9 TON AXLE
(WITHOUT PIN TYPE)


TSB 3709/4309 9 TON AXLE (WITHOUT PIN) TYPE

| | | |
|---|--------------------------|--------------------------|
|  | Mechanism Housing | |
| | CHEEFT NUMBER | CH5017 |
| | OEM NUMBER | -B 01.127.38.02.0 |

| | | |
|---|----------------------------|---------------|
|  | Adjusting Mechanism | |
| | CHEEFT NUMBER | CH5018 |
| | OEM NUMBER | |

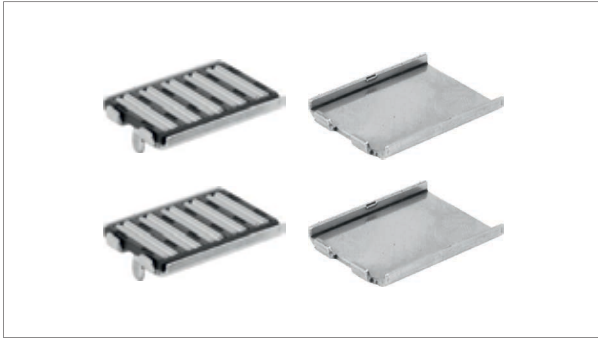
| | | |
|---|--|--------------------------|
|  | Caliper Pad Retainer Repair Kit | |
| | CHEEFT NUMBER | CH5024 |
| | OEM NUMBER | -B 03.001.00.54.C |

| | | |
|---|------------------------|---------------|
|  | Bridge Assembly | |
| | CHEEFT NUMBER | CH5013 |
| | OEM NUMBER | |

| | | |
|---|------------------------|---------------|
|  | Roller Bearings | |
| | CHEEFT NUMBER | CH5005 |
| | OEM NUMBER | |

B TSB 3709/4309
9 TON AXLE
(WITHOUT PIN TYPE)

TSB 3709/4309 9 TON AXLE (WITHOUT PIN) TYPE



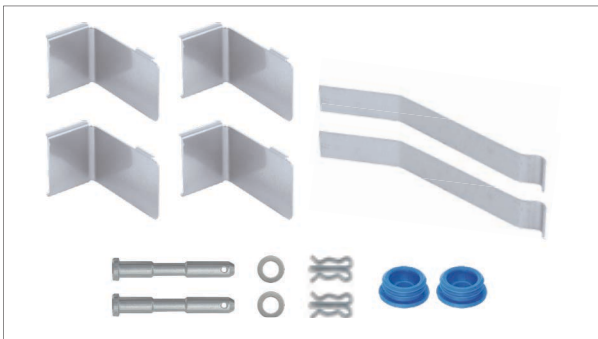
| Flat Bearings | |
|----------------------|---------------|
| CHEEFT NUMBER | CH5006 |
| OEM NUMBER | |



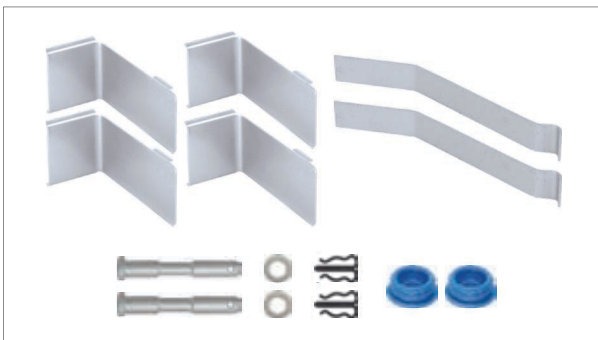
| Calibration Bolt | |
|-------------------------|---------------|
| CHEEFT NUMBER | CH5008 |
| OEM NUMBER | |



| Mechanism Bearing House | |
|--------------------------------|---------------|
| CHEEFT NUMBER | CH5009 |
| OEM NUMBER | |




| Caliper Pad Retainer Repair Kit | |
|--|---------------|
| CHEEFT NUMBER | CH5020 |
| OEM NUMBER | |



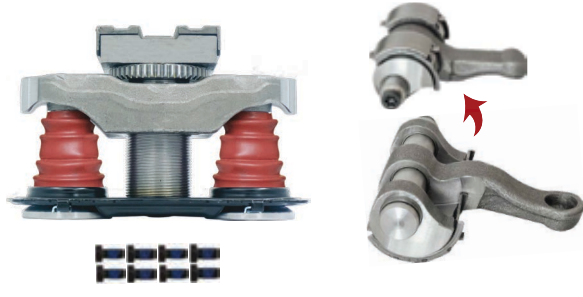
| Caliper Pad Retainer Repair Kit | |
|--|---------------|
| CHEEFT NUMBER | CH5021 |
| OEM NUMBER | |

B TSB 3709/4309
9 TON AXLE
(WITHOUT PIN TYPE)


TSB 3709/4309 9 TON AXLE (WITHOUT PIN) TYPE

| | |
|---|---------------|
| CHEEFT NUMBER | CH5034 |
|  | |
| Caliper Lever Repair Kit | |
| OEM NUMBER | |

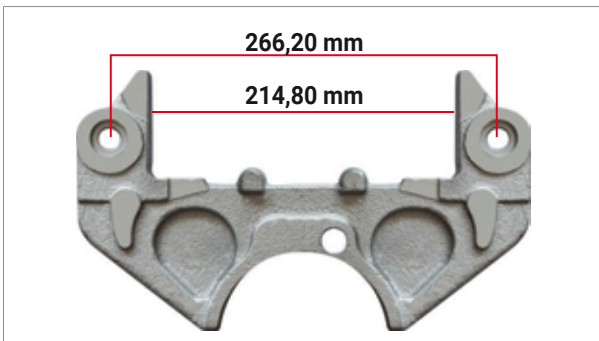
| NO | CHEEFT NO | DESCRIPTIONS | DIMENSION | QTY |
|----|---------------|------------------|-----------|-----|
| 1 | CH5005 | Roller Bearings | | 1 |
| 2 | CH5022 | Lever Repair Kit | | 1 |

| | |
|--|---------------|
|  | |
| Caliper Mechanism Set | |
| CHEEFT NUMBER | CH5035 |
| OEM NUMBER | |

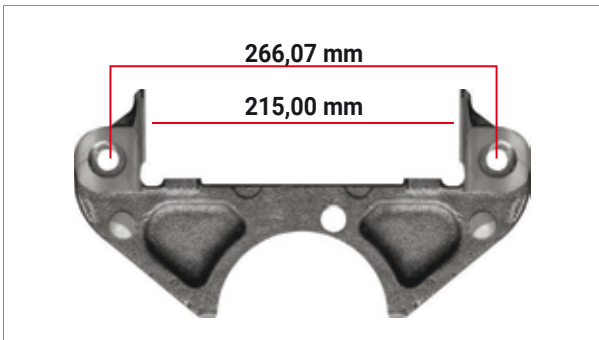
| | |
|---|---------------|
|  | |
| Spanner | |
| CHEEFT NUMBER | CH5080 |
| OEM NUMBER | |

| | |
|---|---------------|
|  | |
| Caliper Carrier (22 / 228 brake pads) | |
| CHEEFT NUMBER | CH5300 |
| OEM NUMBER | |

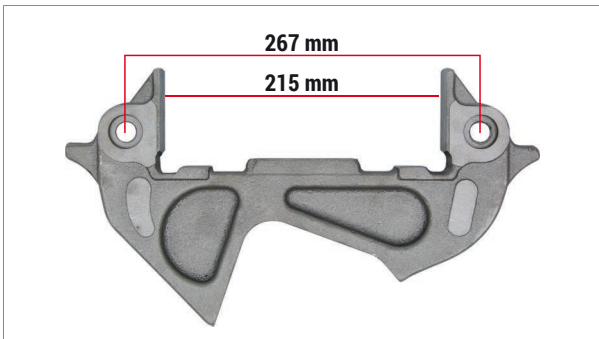
TSB 3709/4309 9 TON AXLE (WITHOUT PIN) TYPE



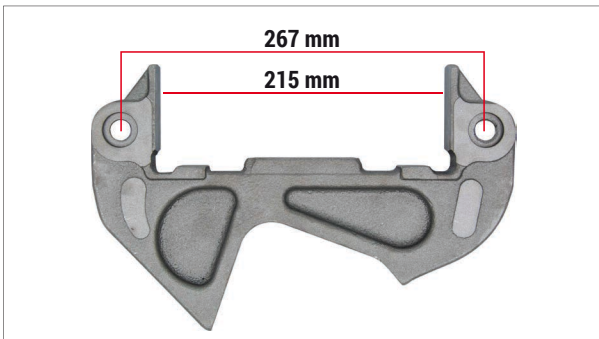
| Caliper Carrier (22 New Model) | |
|---------------------------------------|---------------|
| CHEEFT NUMBER | CH5301 |
| OEM NUMBER | |



| Caliper Carrier (19 / 227 brake pads) | |
|--|---------------|
| CHEEFT NUMBER | CH5302 |
| OEM NUMBER | |






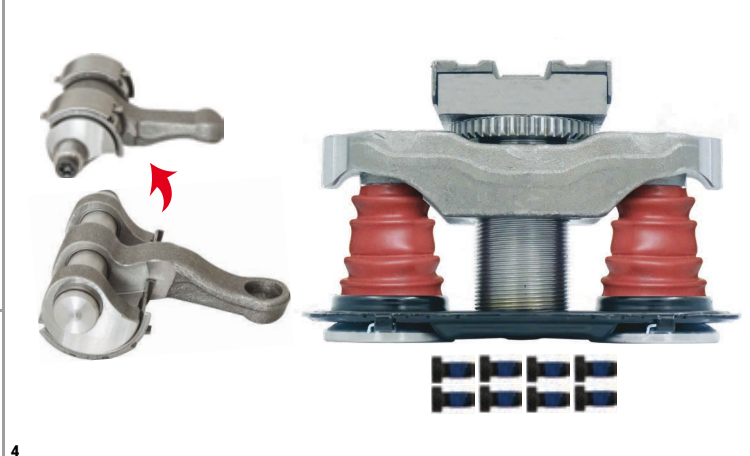
| Caliper Carrier | |
|------------------------|-----------------------|
| CHEEFT NUMBER | CH5303 |
| OEM NUMBER | 01.101.56.01.0 |






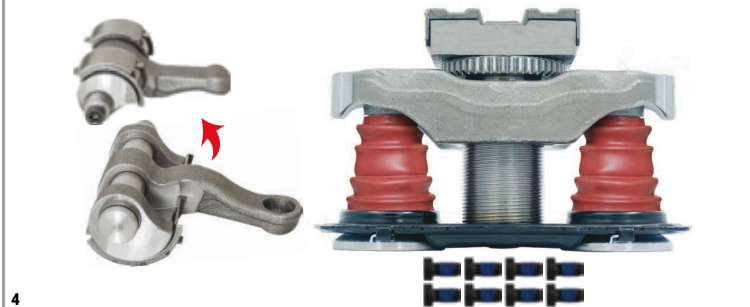

| Caliper Carrier | |
|------------------------|-----------------------|
| CHEEFT NUMBER | CH5304 |
| OEM NUMBER | 01.101.56.01.0 |

B TSB 3709/4309
9 TON AXLE
(WITHOUT PIN TYPE)

TSB 3709/4309 9 TON AXLE (WITHOUT PIN) TYPE

| | | | | |
|--|--|--|---|----------------|
| Caliper Repair Set (without Pin) | | | CHEEFT NUMBER | CHS5001 |
|  <p>1</p> |  <p>2</p> |  <p>3</p> |  <p>4</p> | |

| NO | CHEEFT NO | DESCRIPTIONS | QTY |
|----|-----------|-----------------------------------|-----|
| 1 | CH5003 | Caliper Guides & Seals Repair Kit | 1 |
| 2 | CH5018 | Adjusting Mechanism | 1 |
| 3 | CH5526 | Plug | 2 |
| 4 | CH5035 | Caliper Mechanism Set | 1 |

| | | | | |
|--|--|--|---|---|
| Brake Caliper Pad Repair Kit (Without Pin) | | | CHEEFT NUMBER | CHS5015 |
|  <p>1</p> |  <p>2</p> |  <p>3</p> |  <p>4</p> |  <p>5</p> |

| NO | CHEEFT NO | DESCRIPTIONS | QTY |
|----|-----------|-----------------------------------|-----|
| 1 | CH5003 | Caliper Guides & Seals Repair Kit | 1 |
| 2 | CH5018 | Adjusting Mechanism | 1 |
| 3 | CH5526 | Plug | 2 |
| 4 | CH5035 | Caliper Mechanism Set | 1 |
| 3 | CH5026 | Caliper Pad Retainer Repair Kit | 1 |

B TSB 3709/4309
9 TON AXLE
(WITHOUT PIN TYPE)

B

**TSB 4312 12
TON AXLE
(WITH PIN)
TYPE**

Always the Best...

B

**TSB 4312 12
TON AXLE
(WITH PIN)
TYPE**

Always the Best...

TSB 4312 12 TON AXLE (WITH PIN) TYPE



Caliper Seals Repair Kit

OEM NUMBER -B 09.801.07.62.0

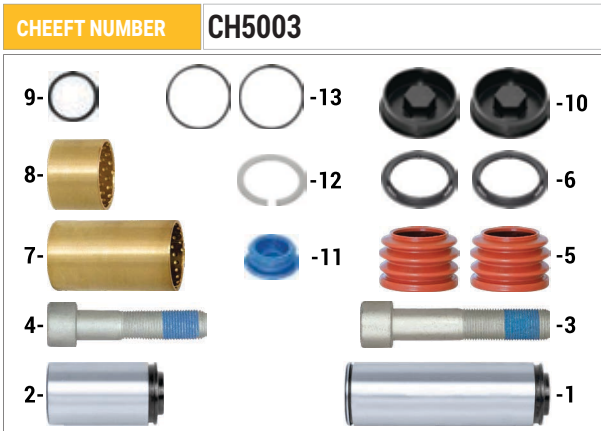
| NO | CHEEFT NO | DESCRIPTIONS | DIMENSION | QTY |
|----|-----------|----------------|-------------------|-----|
| 1 | CH5505 | Inner Boot | | 2 |
| 2 | CH5506 | Plastic Washer | | 2 |
| 3 | CH5507 | Bronze Bush | Ø41 x Ø37 x 73 mm | 1 |
| 4 | CH5508 | Bronze Bush | Ø41 x Ø37 x 30 mm | 1 |
| 5 | CH5509 | O-ring | | 1 |
| 6 | CH5511 | Plug | | 1 |
| 7 | CH5510 | Plastic Cap | | 2 |
| 8 | CH5545 | O-ring | | 2 |



Caliper Guides & Seals Repair Kit

OEM NUMBER

| NO | CHEEFT NO | DESCRIPTIONS | DIMENSION | QTY |
|----|-----------|--------------|--------------------|-----|
| 1 | CH5501 | Guide Pin | Ø37 x 123 mm | 1 |
| 2 | CH5502 | Guide Pin | Ø36,40 x 70 mm | 1 |
| 3 | CH5503 | Bolt | M16 x 1,5 x 100 mm | 1 |
| 4 | CH1511 | Bolt | M16 X 1,5 X 70 mm | 1 |
| 5 | CH5507 | Bronze Bush | Ø41 x Ø37 x 73 mm | 1 |
| 6 | CH5508 | Bronze Bush | Ø41 x Ø37 x 30 mm | 1 |
| 7 | CH5509 | O-ring | | 1 |
| 8 | CH5510 | Plastic Cap | | 2 |
| 9 | CH5518 | Pin Circlip | Ø43 x 1,5 mm | 1 |
| 10 | CH5545 | O-ring | | 2 |



OEM NUMBER

| NO | CHEEFT NO | DESCRIPTIONS | DIMENSION | QTY |
|----|-----------|----------------|--------------------|-----|
| 1 | CH5501 | Guide Pin | Ø37 x 123 mm | 1 |
| 2 | CH5502 | Guide Pin | Ø36,40 x 70 mm | 1 |
| 3 | CH5503 | Bolt | M16 x 1,5 x 100 mm | 1 |
| 4 | CH1511 | Bolt | M16 X 1,5 X 70 mm | 1 |
| 5 | CH5505 | Inner Boot | | 2 |
| 6 | CH5506 | Plastic Washer | | 2 |
| 7 | CH5507 | Bronze Bush | Ø41 x Ø37 x 73 mm | 1 |
| 8 | CH5508 | Bronze Bush | Ø41 x Ø37 x 30 mm | 1 |
| 9 | CH5509 | O-ring | | 1 |
| 10 | CH5510 | Plastic Cap | | 2 |
| 11 | CH5511 | Plug | | 1 |
| 12 | CH5518 | Pin Circlip | Ø43 x 1,5 mm | 1 |
| 13 | CH5545 | O-ring | | 2 |

B TSB 4312 12 TON AXLE (WITH PIN) TYPE

TSB 4312 12 TON AXLE (WITH PIN) TYPE



Caliper Guides & Pad Retainer Repair Kit

OEM NUMBER

| NO | CHEEFT NO | DESCRIPTIONS | DIMENSION | QTY |
|----|-----------|---------------------------------|--------------------|-----|
| 1 | CH5501 | Guide Pin | Ø37 x 123 mm | 1 |
| 2 | CH5502 | Guide Pin | Ø36,40 x 70 mm | 1 |
| 3 | CH5503 | Bolt | M16 x 1,5 x 100 mm | 1 |
| 4 | CH1511 | Bolt | M16 X 1,5 X 70 mm | 1 |
| 5 | CH5506 | Plastic Washer | | 2 |
| 6 | CH5024 | Caliper Pad Retainer Repair Kit | | 1 |



Caliper Pad Retainer Repair Kit

OEM NUMBER

-B 09.801.07.68.1

| NO | CHEEFT NO | DESCRIPTIONS | DIMENSION | QTY |
|----|-----------|---------------------------------|-----------|-----|
| 1 | CH5024 | Caliper Pad Retainer Repair Kit | | 1 |
| 2 | CH5532 | Brake Pad Retainer | | 1 |



Caliper Guides & Pad Retainer Repair Kit

OEM NUMBER

-B 09.801.05.81.0

| NO | CHEEFT NO | DESCRIPTIONS | DIMENSION | QTY |
|----|-----------|---------------------------------|--------------------|-----|
| 1 | CH5501 | Guide Pin | Ø37 x 123 mm | 1 |
| 2 | CH5502 | Guide Pin | Ø36,40 x 70 mm | 1 |
| 3 | CH5503 | Bolt | M16 x 1,5 x 100 mm | 1 |
| 4 | CH1511 | Bolt | M16 X 1,5 X 70 mm | 1 |
| 5 | CH5506 | Plastic Washer | | 2 |
| 6 | CH5026 | Caliper Pad Retainer Repair Kit | | 1 |

B TSB 4312 12 TON
AXLE
(WITH PIN) TYPE

TSB 4312 12 TON AXLE (WITH PIN) TYPE

CHEEFT NUMBER CH5007



Caliper Tappet & Boot Repair Kit

OEM NUMBER -B 09.801.07.63.1 - 05.801.50.90.0

| NO | CHEEFT NO | DESCRIPTIONS | DIMENSION | QTY |
|----|-----------|-------------------|-----------|-----|
| 1 | CH5519 | Tappet (with Pin) | | 2 |
| 2 | CH5515 | Clamp | | 2 |
| 3 | CH5513 | Tappet Boot | | 2 |
| 4 | CH5514 | Locker | | 2 |

CHEEFT NUMBER CH5010

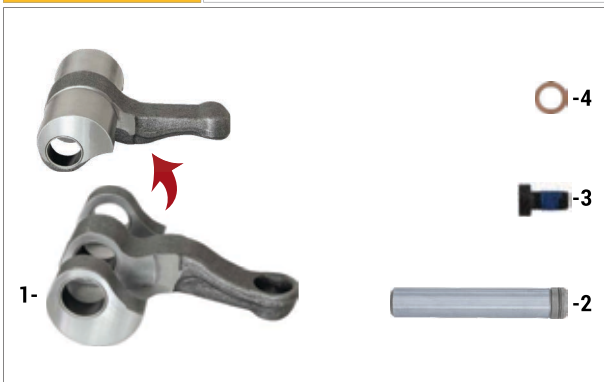


Caliper Cover Mechanism

OEM NUMBER -B 05.010.95.31.0

| NO | CHEEFT NO | DESCRIPTIONS | DIMENSION | QTY |
|----|-----------|------------------|------------|-----|
| 1 | CH5520 | Cover Mechanism | | 1 |
| 2 | CH1573 | Bolt | M8 x 16 mm | 8 |
| 3 | CH5521 | Mechanism Washer | | 1 |

CHEEFT NUMBER CH5022




Lever Repair Kit

OEM NUMBER


| NO | CHEEFT NO | DESCRIPTIONS | DIMENSION | QTY |
|----|-----------|--------------|------------|-----|
| 1 | CH5525 | Lever | | 1 |
| 2 | CH5524 | Lever Pin | | 1 |
| 3 | CH1573 | Bolt | M8 x 16 mm | 1 |
| 4 | CH5527 | Washer | | 1 |

B TSB 4312 12 TON
AXLE
(WITH PIN) TYPE


TSB 4312 12 TON AXLE (WITH PIN) TYPE

| | |
|---|---------------|
| CHEEFT NUMBER | CH5011 |
|  | |
| Mechanism Washer Kit | |
| OEM NUMBER | |

| NO | CHEEFT NO | DESCRIPTIONS | DIMENSION | QTY |
|----|---------------|-------------------------|-----------|-----|
| 1 | CH5521 | Mechanism Washer | | 10 |

| | |
|--|---------------|
| CHEEFT NUMBER | CH5012 |
|  | |
| Shaft Roller Bearing Kit | |
| OEM NUMBER | |


| NO | CHEEFT NO | DESCRIPTIONS | DIMENSION | QTY |
|----|---------------|-----------------------------|-----------|-----|
| 1 | CH5522 | Shaft Roller Bearing | | 10 |

| | |
|---|---------------|
| CHEEFT NUMBER | CH5014 |
|  | |
| Calibration Bolt Housing Kit | |
| OEM NUMBER | |


| NO | CHEEFT NO | DESCRIPTIONS | DIMENSION | QTY |
|----|---------------|---------------------------------|-----------|-----|
| 1 | CH5523 | Calibration Bolt Housing | | 5 |

B TSB 4312 12 TON
AXLE
(WITH PIN) TYPE

TSB 4312 12 TON AXLE (WITH PIN) TYPE

| | |
|---|---------------|
| CHEEFT NUMBER | CH5015 |
|  | |
| Caliper Plug Kit | |
| OEM NUMBER | |

| NO | CHEEFT NO | DESCRIPTIONS | DIMENSION | QTY |
|----|---------------|--------------|-----------|-----|
| 1 | CH5526 | <i>Plug</i> | | 5 |

| | |
|--|---------------|
| CHEEFT NUMBER | CH5031 |
|  | |
| Lever Bush Kit | |
| OEM NUMBER | |

| NO | CHEEFT NO | DESCRIPTIONS | DIMENSION | QTY |
|----|---------------|--------------|---|-----|
| 1 | CH5531 | <i>Bush</i> | $\varnothing 20 \times 18 \times 12 \text{ mm}$ | 2 |
| 2 | CH5530 | <i>Bush</i> | $\varnothing 20 \times 18 \times 20 \text{ mm}$ | 1 |



| | |
|--------------------------------|---------------|
| Mechanism Bearing House | |
| CHEEFT NUMBER | CH5030 |
| OEM NUMBER | |

B TSB 4312 12 TON
AXLE
(WITH PIN) TYPE

TSB 4312 12 TON AXLE (WITH PIN) TYPE



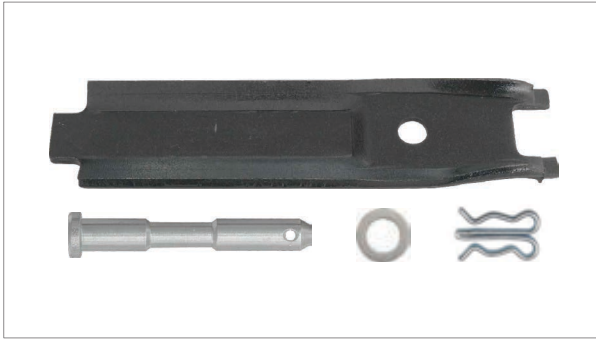
Calibration Bolt

| | |
|---------------|---------------|
| CHEEFT NUMBER | CH5008 |
| OEM NUMBER | |



Adjusting Mechanism

| | |
|---------------|---------------|
| CHEEFT NUMBER | CH5018 |
| OEM NUMBER | |



Caliper Pad Retainer Repair Kit

| | |
|---------------|--------------------------|
| CHEEFT NUMBER | CH5024 |
| OEM NUMBER | -B 03.001.00.54.C |



Bridge Assembly

| | |
|---------------|---------------|
| CHEEFT NUMBER | CH5013 |
| OEM NUMBER | |



Roller Bearings

| | |
|---------------|---------------|
| CHEEFT NUMBER | CH5005 |
| OEM NUMBER | |

B TSB 4312 12 TON
AXLE
(WITH PIN) TYPE

TSB 4312 12 TON AXLE (WITH PIN) TYPE

CHEEFT NUMBER CH5034



Caliper Lever Repair Kit

OEM NUMBER

| NO | CHEEFT NO | DESCRIPTIONS | DIMENSION | QTY |
|----|-----------|------------------|-----------|-----|
| 1 | CH5005 | Roller Bearings | | 1 |
| 2 | CH5022 | Lever Repair Kit | | 1 |

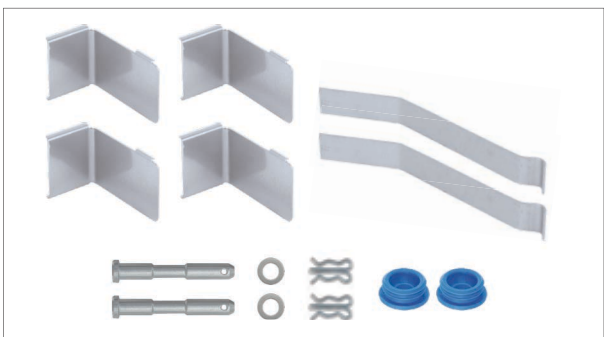


Mechanism Bearing House

CHEEFT NUMBER

CH5009

OEM NUMBER

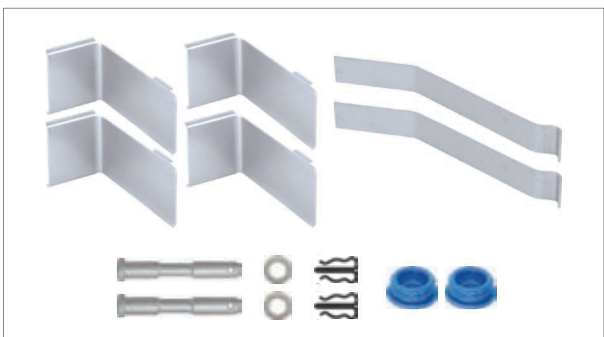


Caliper Pad Retainer Repair Kit

CHEEFT NUMBER

CH5020

OEM NUMBER



Caliper Pad Retainer Repair Kit

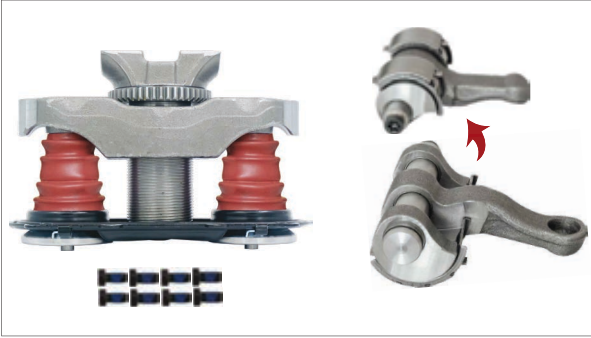
CHEEFT NUMBER

CH5021

OEM NUMBER

B TSB 4312 12 TON
AXLE
(WITH PIN) TYPE

TSB 4312 12 TON AXLE (WITH PIN) TYPE



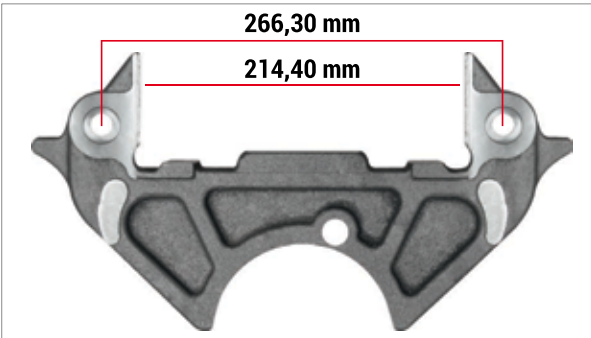
Caliper Mechanism Set

| | |
|---------------|---------------|
| CHEEFT NUMBER | CH5033 |
| OEM NUMBER | |



Spanner

| | |
|---------------|---------------|
| CHEEFT NUMBER | CH5080 |
| OEM NUMBER | |

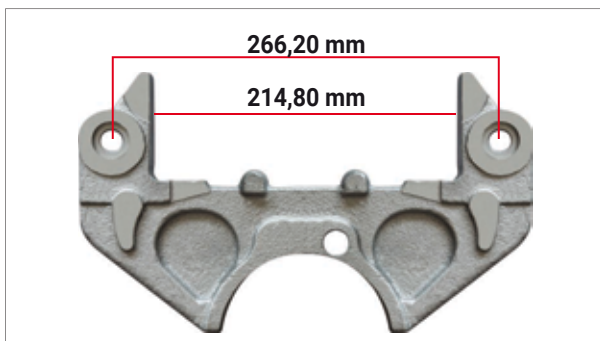


Caliper Carrier (22 / 228 brake pads)

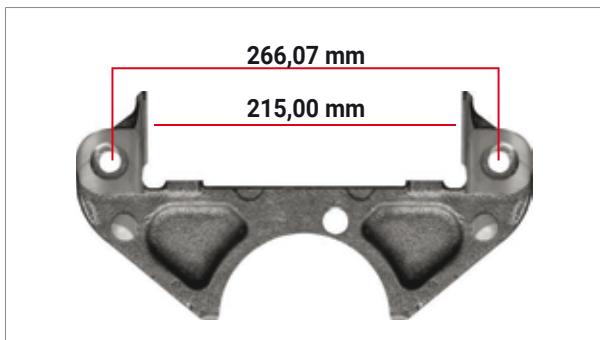
| | |
|---------------|---------------|
| CHEEFT NUMBER | CH5300 |
| OEM NUMBER | |

B TSB 4312 12 TON
AXLE
(WITH PIN) TYPE

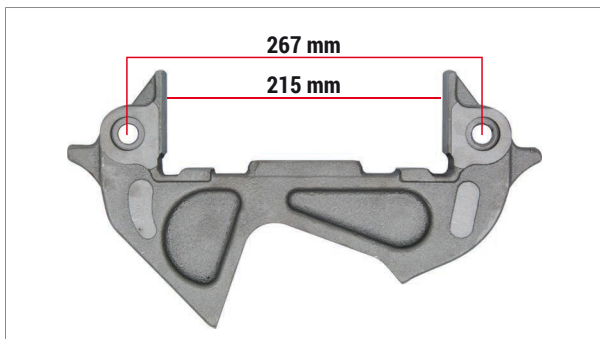
TSB 4312 12 TON AXLE (WITH PIN) TYPE



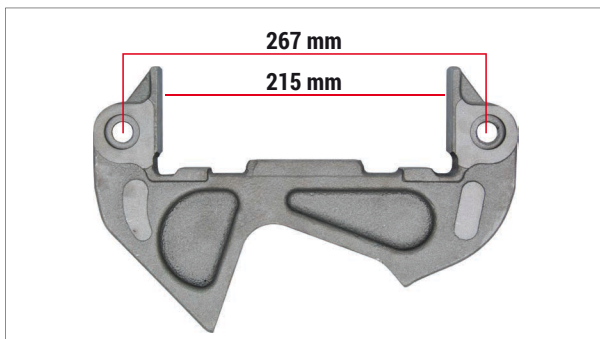
| Caliper Carrier (22 New Model) | |
|---------------------------------------|---------------|
| CHEEFT NUMBER | CH5301 |
| OEM NUMBER | |



| Caliper Carrier (19 / 227 brake pads) | |
|--|---------------|
| CHEEFT NUMBER | CH5302 |
| OEM NUMBER | |



| Caliper Carrier | |
|------------------------|-----------------------|
| CHEEFT NUMBER | CH5303 |
| OEM NUMBER | 01.101.56.01.0 |



| Caliper Carrier | |
|------------------------|-----------------------|
| CHEEFT NUMBER | CH5304 |
| OEM NUMBER | 01.101.56.01.0 |

B TSB 4312 12 TON
AXLE
(WITH PIN) TYPE

TSB 4312 12 TON AXLE (WITH PIN) TYPE

| | | | | |
|--|---|---|----------------------|----------------|
| Caliper Repair Set (with Pin - New Model) | | | CHEEFT NUMBER | CHS5004 |
| 1 | 2 | 3 | 4 | |

| NO | CHEEFT NO | DESCRIPTIONS | QTY |
|----|-----------|-----------------------------------|-----|
| 1 | CH5003 | Caliper Guides & Seals Repair Kit | 1 |
| 2 | CH5018 | Adjusting Mechanism | 1 |
| 3 | CH5526 | Plug | 2 |
| 4 | CH5033 | Caliper Mechanism Set | 1 |

| | | | | |
|--|---|---|----------------------|----------------|
| Brake Caliper Pad Repair Kit (With Pin) | | | CHEEFT NUMBER | CHS5018 |
| 1 | 2 | 3 | 4 | 5 |

| NO | CHEEFT NO | DESCRIPTIONS | QTY |
|----|-----------|-----------------------------------|-----|
| 1 | CH5003 | Caliper Guides & Seals Repair Kit | 1 |
| 2 | CH5018 | Adjusting Mechanism | 1 |
| 3 | CH5526 | Plug | 2 |
| 4 | CH5033 | Caliper Mechanism Set | 1 |
| 5 | CH5026 | Caliper Pad Retainer Repair Kit | 1 |

B TSB 4312 12 TON
AXLE
(WITH PIN) TYPE

B

**TSB 4312
12 TON AXLE
(WITHOUT PIN)
TYPE**

Always the Best...

B
TSB 4312
12 TON AXLE
(WITHOUT PIN)
TYPE

Always the Best...

TSB 4312 12 TON AXLE (WITHOUT PIN) TYPE



Caliper Seals Repair Kit

OEM NUMBER -B 09.801.07.62.0

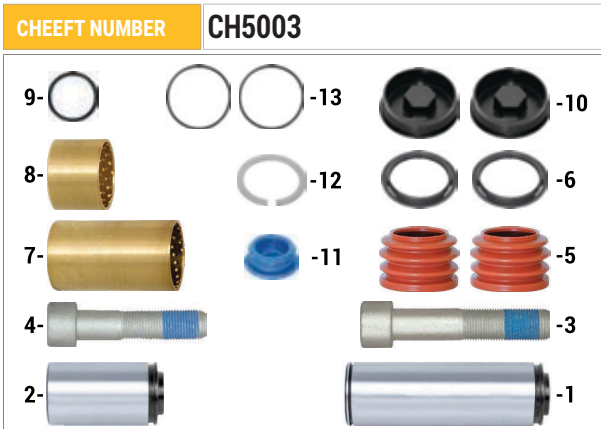
| NO | CHEEFT NO | DESCRIPTIONS | DIMENSION | QTY |
|----|-----------|----------------|-------------------|-----|
| 1 | CH5505 | Inner Boot | | 2 |
| 2 | CH5506 | Plastic Washer | | 2 |
| 3 | CH5507 | Bronze Bush | Ø41 x Ø37 x 73 mm | 1 |
| 4 | CH5508 | Bronze Bush | Ø41 x Ø37 x 30 mm | 1 |
| 5 | CH5509 | O-ring | | 1 |
| 6 | CH5511 | Plug | | 1 |
| 7 | CH5510 | Plastic Cap | | 2 |
| 8 | CH5545 | O-ring | | 2 |



Caliper Guides & Seals Repair Kit

OEM NUMBER

| NO | CHEEFT NO | DESCRIPTIONS | DIMENSION | QTY |
|----|-----------|--------------|--------------------|-----|
| 1 | CH5501 | Guide Pin | Ø37 x 123 mm | 1 |
| 2 | CH5502 | Guide Pin | Ø36,40 x 70 mm | 1 |
| 3 | CH5503 | Bolt | M16 x 1,5 x 100 mm | 1 |
| 4 | CH1511 | Bolt | M16 X 1,5 X 70 mm | 1 |
| 5 | CH5507 | Bronze Bush | Ø41 x Ø37 x 73 mm | 1 |
| 6 | CH5508 | Bronze Bush | Ø41 x Ø37 x 30 mm | 1 |
| 7 | CH5509 | O-ring | | 1 |
| 8 | CH5510 | Plastic Cap | | 2 |
| 9 | CH5518 | Pin Circlip | Ø43 x 1,5 mm | 1 |
| 10 | CH5545 | O-ring | | 2 |



OEM NUMBER

| NO | CHEEFT NO | DESCRIPTIONS | DIMENSION | QTY |
|----|-----------|----------------|--------------------|-----|
| 1 | CH5501 | Guide Pin | Ø37 x 123 mm | 1 |
| 2 | CH5502 | Guide Pin | Ø36,40 x 70 mm | 1 |
| 3 | CH5503 | Bolt | M16 x 1,5 x 100 mm | 1 |
| 4 | CH1511 | Bolt | M16 X 1,5 X 70 mm | 1 |
| 5 | CH5505 | Inner Boot | | 2 |
| 6 | CH5506 | Plastic Washer | | 2 |
| 7 | CH5507 | Bronze Bush | Ø41 x Ø37 x 73 mm | 1 |
| 8 | CH5508 | Bronze Bush | Ø41 x Ø37 x 30 mm | 1 |
| 9 | CH5509 | O-ring | | 1 |
| 10 | CH5510 | Plastic Cap | | 2 |
| 11 | CH5511 | Plug | | 1 |
| 12 | CH5518 | Pin Circlip | Ø43 x 1,5 mm | 1 |
| 13 | CH5545 | O-ring | | 2 |

TSB 4312 12 TON AXLE (WITHOUT PIN) TYPE



Caliper Guides & Pad Retainer Repair Kit

OEM NUMBER

| NO | CHEEFT NO | DESCRIPTIONS | DIMENSION | QTY |
|----|-----------|---------------------------------|--------------------|-----|
| 1 | CH5501 | Guide Pin | Ø37 x 123 mm | 1 |
| 2 | CH5502 | Guide Pin | Ø36,40 x 70 mm | 1 |
| 3 | CH5503 | Bolt | M16 x 1,5 x 100 mm | 1 |
| 4 | CH1511 | Bolt | M16 X 1,5 X 70 mm | 1 |
| 5 | CH5506 | Plastic Washer | | 2 |
| 6 | CH5024 | Caliper Pad Retainer Repair Kit | | 1 |



Caliper Pad Retainer Repair Kit

OEM NUMBER

-B 09.801.07.68.1

| NO | CHEEFT NO | DESCRIPTIONS | DIMENSION | QTY |
|----|-----------|---------------------------------|-----------|-----|
| 1 | CH5024 | Caliper Pad Retainer Repair Kit | | 1 |
| 2 | CH5532 | Brake Pad Retainer | | 1 |



Caliper Guides & Pad Retainer Repair Kit

OEM NUMBER

-B 09.801.05.81.0

| NO | CHEEFT NO | DESCRIPTIONS | DIMENSION | QTY |
|----|-----------|---------------------------------|--------------------|-----|
| 1 | CH5501 | Guide Pin | Ø37 x 123 mm | 1 |
| 2 | CH5502 | Guide Pin | Ø36,40 x 70 mm | 1 |
| 3 | CH5503 | Bolt | M16 x 1,5 x 100 mm | 1 |
| 4 | CH1511 | Bolt | M16 X 1,5 X 70 mm | 1 |
| 5 | CH5506 | Plastic Washer | | 2 |
| 6 | CH5026 | Caliper Pad Retainer Repair Kit | | 1 |

B TSB 4312
12 TON AXLE
(WITHOUT PIN)TYPE

TSB 4312 12 TON AXLE (WITHOUT PIN) TYPE

CHEEFT NUMBER CH5004



Caliper Tappet & Boot Repair Kit

OEM NUMBER -B 09.801.07.63.0

| NO | CHEEFT NO | DESCRIPTIONS | DIMENSION | QTY |
|----|-----------|----------------------|-----------|-----|
| 1 | CH5512 | Tappet (without Pin) | | 2 |
| 2 | CH5515 | Clamp | | 2 |
| 3 | CH5513 | Tappet Boot | | 2 |
| 4 | CH5514 | Locker | | 2 |

CHEEFT NUMBER CH5010

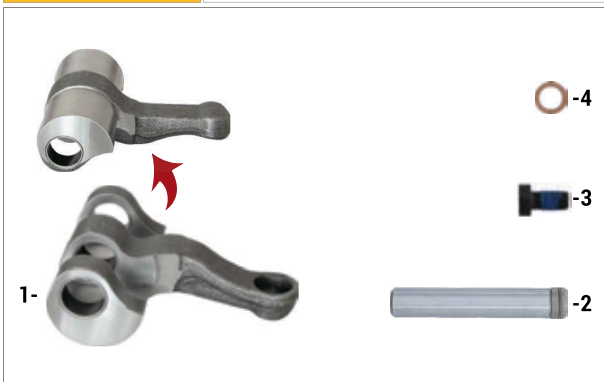


Caliper Cover Mechanism

OEM NUMBER -B 05.010.95.31.0

| NO | CHEEFT NO | DESCRIPTIONS | DIMENSION | QTY |
|----|-----------|------------------|------------|-----|
| 1 | CH5520 | Cover Mechanism | | 1 |
| 2 | CH1573 | Bolt | M8 x 16 mm | 8 |
| 3 | CH5521 | Mechanism Washer | | 1 |

CHEEFT NUMBER CH5022




Lever Repair Kit

OEM NUMBER


| NO | CHEEFT NO | DESCRIPTIONS | DIMENSION | QTY |
|----|-----------|--------------|------------|-----|
| 1 | CH5525 | Lever | | 1 |
| 2 | CH5524 | Lever Pin | | 1 |
| 3 | CH1573 | Bolt | M8 x 16 mm | 1 |
| 4 | CH5527 | Washer | | 1 |

B TSB 4312
12 TON AXLE
(WITHOUT PIN)TYPE


TSB 4312 12 TON AXLE (WITHOUT PIN) TYPE

| | |
|---|---------------|
| CHEEFT NUMBER | CH5011 |
|  | |
| Mechanism Washer Kit | |
| OEM NUMBER | |

| NO | CHEEFT NO | DESCRIPTIONS | DIMENSION | QTY |
|----|---------------|-------------------------|-----------|-----|
| 1 | CH5521 | Mechanism Washer | | 10 |

| | |
|--|---------------|
| CHEEFT NUMBER | CH5012 |
|  | |
| Shaft Roller Bearing Kit | |
| OEM NUMBER | |

| NO | CHEEFT NO | DESCRIPTIONS | DIMENSION | QTY |
|----|---------------|-----------------------------|-----------|-----|
| 1 | CH5522 | Shaft Roller Bearing | | 10 |

| | |
|---|---------------|
| CHEEFT NUMBER | CH5014 |
|  | |
| Calibration Bolt Housing Kit | |
| OEM NUMBER | |

| NO | CHEEFT NO | DESCRIPTIONS | DIMENSION | QTY |
|----|---------------|---------------------------------|-----------|-----|
| 1 | CH5523 | Calibration Bolt Housing | | 5 |

B TSB 4312
12 TON AXLE
(WITHOUT PIN)TYPE

TSB 4312 12 TON AXLE (WITHOUT PIN) TYPE

CHEEFT NUMBER **CH5015**

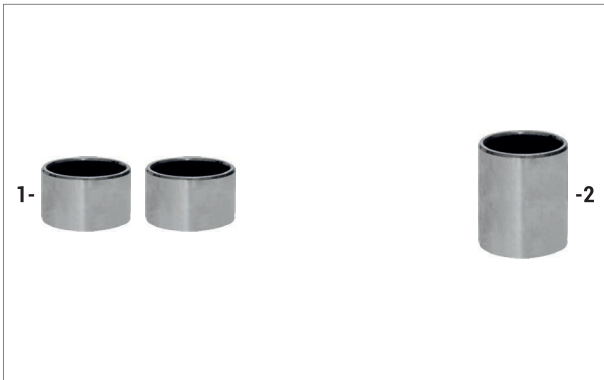


Caliper Plug Kit

OEM NUMBER

| NO | CHEEFT NO | DESCRIPTIONS | DIMENSION | QTY |
|----|---------------|--------------|-----------|-----|
| 1 | CH5526 | Plug | | 5 |

CHEEFT NUMBER **CH5031**



Lever Bush Kit

OEM NUMBER

| NO | CHEEFT NO | DESCRIPTIONS | DIMENSION | QTY |
|----|---------------|--------------|------------------|-----|
| 1 | CH5531 | Bush | Ø20 x 18 x 12 mm | 2 |
| 2 | CH5530 | Bush | Ø20 x 18 x 20 mm | 1 |



Mechanism Bearing House

CHEEFT NUMBER **CH5030**

OEM NUMBER

B TSB 4312
12 TON AXLE
(WITHOUT PIN)TYPE

TSB 4312 12 TON AXLE (WITHOUT PIN) TYPE



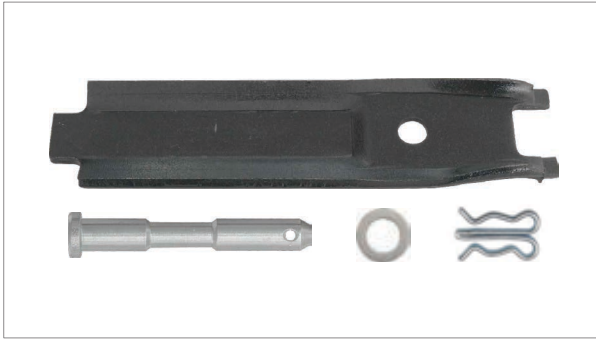
Calibration Bolt

| | |
|---------------|---------------|
| CHEEFT NUMBER | CH5008 |
| OEM NUMBER | |



Adjusting Mechanism

| | |
|---------------|---------------|
| CHEEFT NUMBER | CH5018 |
| OEM NUMBER | |



Caliper Pad Retainer Repair Kit

| | |
|---------------|--------------------------|
| CHEEFT NUMBER | CH5024 |
| OEM NUMBER | -B 03.001.00.54.C |



Bridge Assembly

| | |
|---------------|---------------|
| CHEEFT NUMBER | CH5013 |
| OEM NUMBER | |



Roller Bearings

| | |
|---------------|---------------|
| CHEEFT NUMBER | CH5005 |
| OEM NUMBER | |

B TSB 4312
12 TON AXLE
(WITHOUT PIN)TYPE

TSB 4312 12 TON AXLE (WITHOUT PIN) TYPE

CHEEFT NUMBER CH5034



Caliper Lever Repair Kit

OEM NUMBER

| NO | CHEEFT NO | DESCRIPTIONS | DIMENSION | QTY |
|----|-----------|------------------|-----------|-----|
| 1 | CH5005 | Roller Bearings | | 1 |
| 2 | CH5022 | Lever Repair Kit | | 1 |

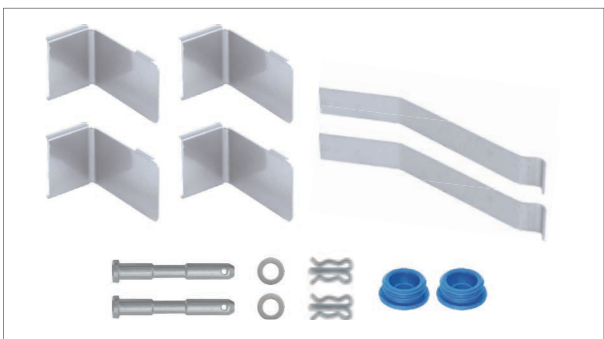


Mechanism Bearing House

CHEEFT NUMBER

CH5009

OEM NUMBER

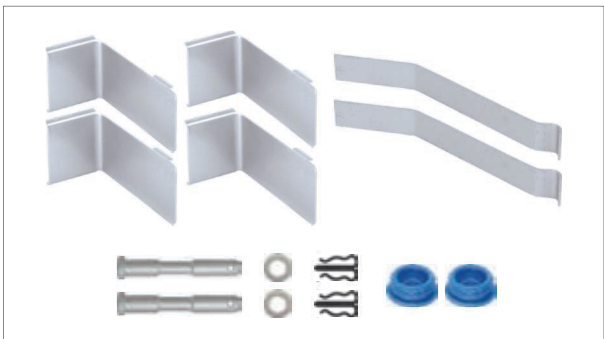


Caliper Pad Retainer Repair Kit

CHEEFT NUMBER

CH5020

OEM NUMBER



Caliper Pad Retainer Repair Kit

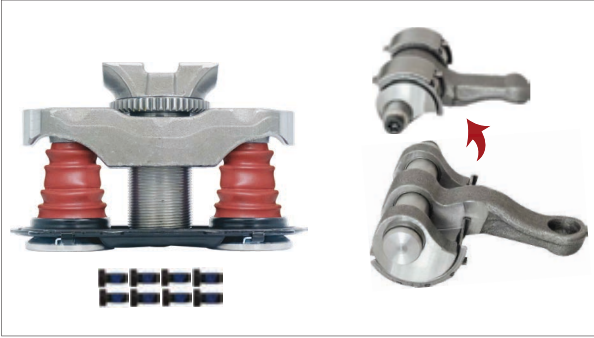
CHEEFT NUMBER

CH5021

OEM NUMBER

B TSB 4312
12 TON AXLE
(WITHOUT PIN)TYPE

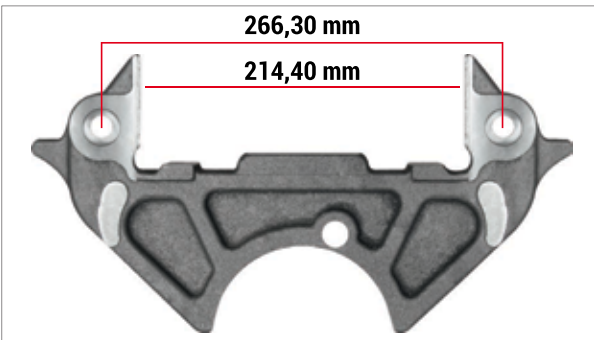
TSB 4312 12 TON AXLE (WITHOUT PIN) TYPE



| Caliper Mechanism Set | |
|------------------------------|---------------|
| CHEEFT NUMBER | CH5036 |
| OEM NUMBER | |

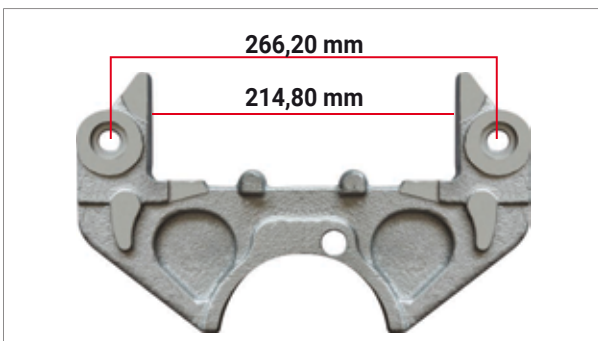


| Spanner | |
|----------------|---------------|
| CHEEFT NUMBER | CH5080 |
| OEM NUMBER | |

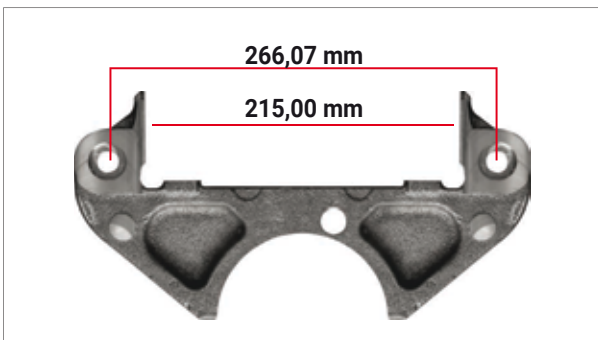


| Caliper Carrier (22 / 228 brake pads) | |
|--|---------------|
| CHEEFT NUMBER | CH5300 |
| OEM NUMBER | |

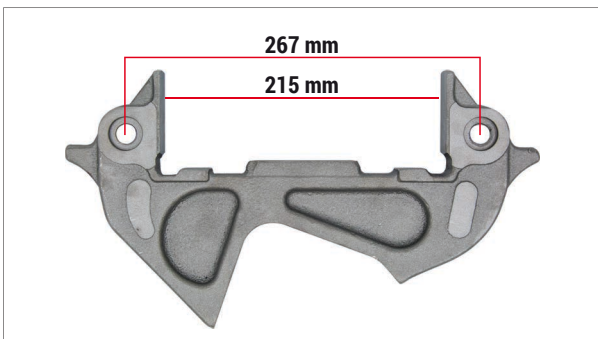
TSB 4312 12 TON AXLE (WITHOUT PIN) TYPE



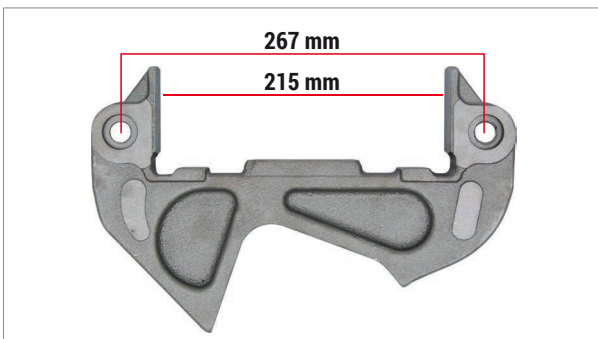
| Caliper Carrier (22 New Model) | |
|---------------------------------------|---------------|
| CHEEFT NUMBER | CH5301 |
| OEM NUMBER | |



| Caliper Carrier (19 / 227 brake pads) | |
|--|---------------|
| CHEEFT NUMBER | CH5302 |
| OEM NUMBER | |



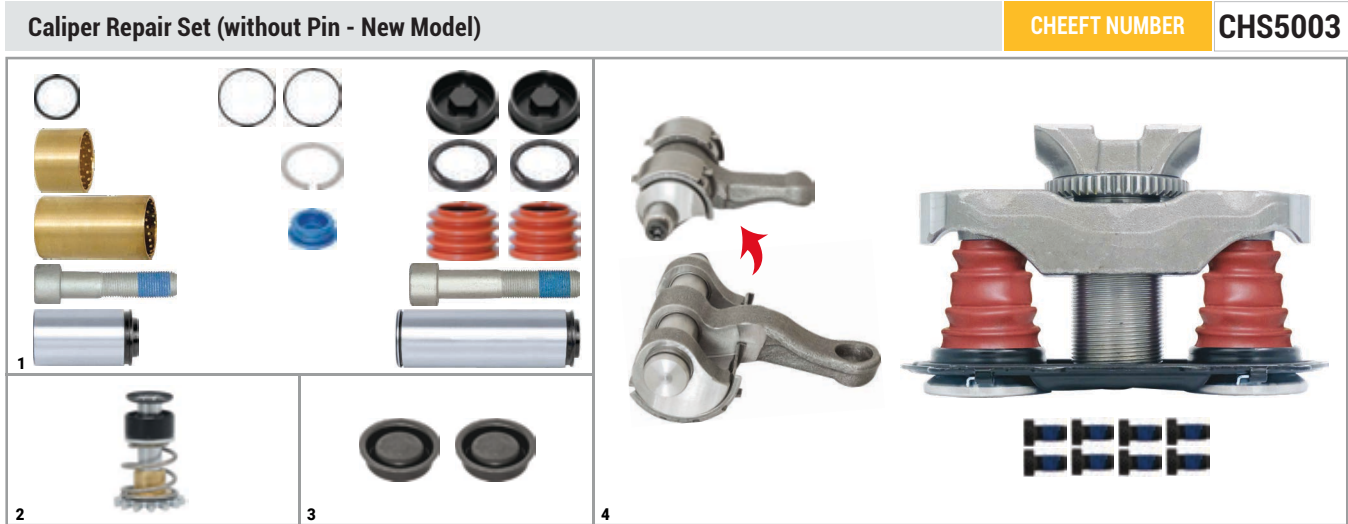
| Caliper Carrier | |
|------------------------|-----------------------|
| CHEEFT NUMBER | CH5303 |
| OEM NUMBER | 01.101.56.01.0 |



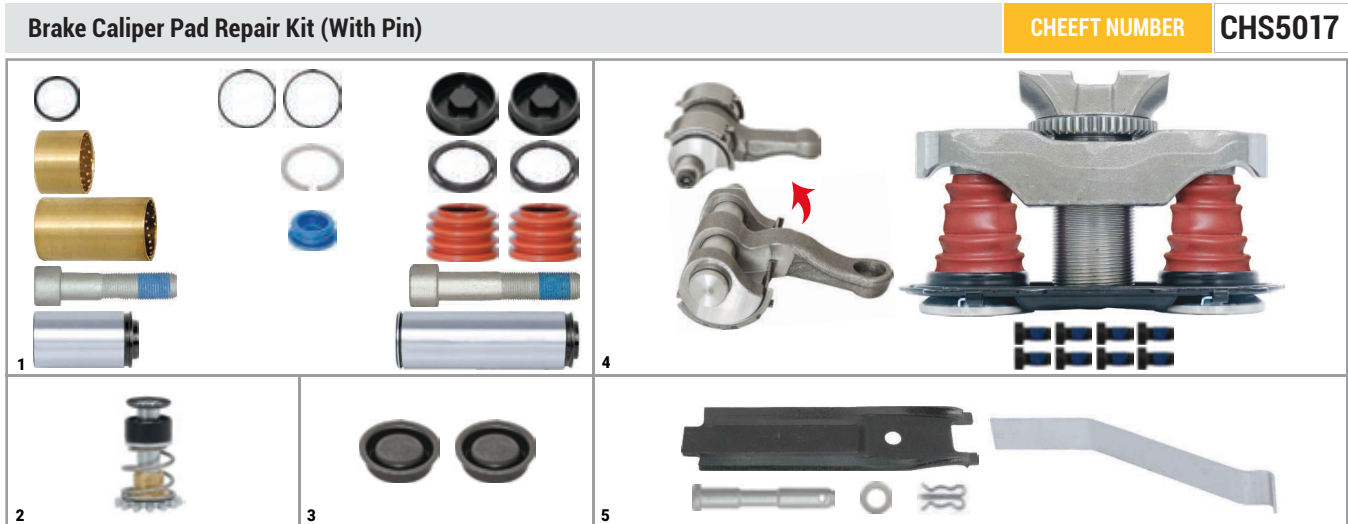
| Caliper Carrier | |
|------------------------|-----------------------|
| CHEEFT NUMBER | CH5304 |
| OEM NUMBER | 01.101.56.01.0 |

B TSB 4312
12 TON AXLE
(WITHOUT PIN)TYPE

TSB 4312 12 TON AXLE (WITHOUT PIN) TYPE



| NO | CHEEFT NO | DESCRIPTIONS | QTY |
|----|-----------|-----------------------------------|-----|
| 1 | CH5003 | Caliper Guides & Seals Repair Kit | 1 |
| 2 | CH5018 | Adjusting Mechanism | 1 |
| 3 | CH5526 | Plug | 2 |
| 4 | CH5036 | Caliper Mechanism Set | 1 |



| NO | CHEEFT NO | DESCRIPTIONS | QTY |
|----|-----------|-----------------------------------|-----|
| 1 | CH5003 | Caliper Guides & Seals Repair Kit | 1 |
| 2 | CH5018 | Adjusting Mechanism | 1 |
| 3 | CH5526 | Plug | 2 |
| 4 | CH5036 | Caliper Mechanism Set | 1 |
| 5 | CH5026 | Caliper Pad Retainer Repair Kit | 1 |

B TSB 4312
12 TON AXLE
(WITHOUT PIN)TYPE

B

TS2 3709 TYPE

Always the Best...

B
TS2 3709 TYPE

B TS2 3709/
4309 TYPE

Always the Best...

TS2 3709 TYPE

CHEEFT NUMBER CHS5037

Caliper Guides & Seals Repair Kit

OEM NUMBER -B 09.801.08.69.0

| NO | CHEEFT NO | DESCRIPTIONS | DIMENSION | QTY |
|----|-----------|----------------|--------------------|-----|
| 1 | CH5501 | Guide Pin | Ø37 x 123 mm | 1 |
| 2 | CH5504 | Guide Pin | Ø36,80 x 70 mm | 1 |
| 3 | CH5589 | Bolt | M16 x 1,5 x 103 mm | 1 |
| 4 | CH5588 | Bolt | M16 x 1,5 x 73 mm | 1 |
| 5 | CH5605 | Inner Boot | | 2 |
| 6 | CH5506 | Plastic Washer | | 2 |
| 7 | CH5507 | Bronze Bush | Ø41 x Ø37 x 73 mm | 1 |
| 8 | CH5575 | Bronze Bush | Ø41 x Ø37 x 34 mm | 1 |
| 9 | CH5510 | Plastic Cap | | 2 |
| 10 | CH5545 | O-ring | | 2 |
| 11 | CH5566 | Plug | | 1 |
| 12 | CH5518 | Pin Circlip | Ø43 x 1,5 mm | 1 |

CHEEFT NUMBER CH5049

Caliper Cover Repair Kit (Left)

OEM NUMBER

| NO | CHEEFT NO | DESCRIPTIONS | DIMENSION | QTY |
|----|-----------|------------------------|------------|-----|
| 1 | CH5584 | Cover (Left) | | 1 |
| 2 | CH1573 | Bolt | M8 x 16 mm | 6 |
| 3 | CH5577 | Rivet | | 2 |
| 4 | CH5574 | Tappet & Boot Assembly | | 1 |

CHEEFT NUMBER CH5050

Caliper Cover Repair Kit (Right)

OEM NUMBER

| NO | CHEEFT NO | DESCRIPTIONS | DIMENSION | QTY |
|----|-----------|------------------------|------------|-----|
| 1 | CH5585 | Cover (Right) | | 1 |
| 2 | CH1573 | Bolt | M8 x 16 mm | 6 |
| 3 | CH5577 | Rivet | | 2 |
| 4 | CH5574 | Tappet & Boot Assembly | | 1 |

B TS2 3709/
4309 TYPE

TS2 3709 TYPE



Caliper Bearing Repair Kit

OEM NUMBER

| NO | CHEEFT NO | DESCRIPTIONS | DIMENSION | QTY |
|----|-----------|-------------------------|-----------|-----|
| 1 | CH5038 | Caliper Roller Bearings | | 1 |
| 2 | CH5580 | Roller | | 2 |
| 3 | CH5581 | Roller Bush | | 2 |



Caliper Lever Repair Kit

OEM NUMBER

| NO | CHEEFT NO | DESCRIPTIONS | DIMENSION | QTY |
|----|-----------|------------------|-----------|-----|
| 1 | CH5587 | Lever (with Pin) | | 1 |
| 2 | CH5580 | Roller | | 2 |
| 3 | CH5581 | Roller Bush | | 2 |



Caliper Adjusting Mechanism Support

OEM NUMBER

| NO | CHEEFT NO | DESCRIPTIONS | DIMENSION | QTY |
|----|-----------|-------------------------|-----------|-----|
| 1 | CH5582 | Caliper Bridge Assembly | | 1 |
| 2 | CH5578 | Spring | | 2 |

B TS2 3709/
4309 TYPE

TS2 3709 TYPE



Caliper Cover Repair Kit (Left)

| | |
|-------------------|--|
| OEM NUMBER | |
|-------------------|--|

| NO | CHEEFT NO | DESCRIPTIONS | DIMENSION | QTY |
|----|---------------|---------------------|-------------------|-----|
| 1 | CH5584 | <i>Cover (Left)</i> | | 1 |
| 2 | CH1573 | <i>Bolt</i> | <i>M8 x 16 mm</i> | 6 |
| 3 | CH5577 | | <i>Rivet</i> | 2 |




Caliper Cover Repair Kit (Right)


| | |
|-------------------|--|
| OEM NUMBER | |
|-------------------|--|


| NO | CHEEFT NO | DESCRIPTIONS | DIMENSION | QTY |
|----|---------------|----------------------|-------------------|-----|
| 1 | CH5585 | <i>Cover (Right)</i> | | 1 |
| 2 | CH1573 | <i>Bolt</i> | <i>M8 x 16 mm</i> | 6 |
| 3 | CH5577 | | <i>Rivet</i> | 2 |

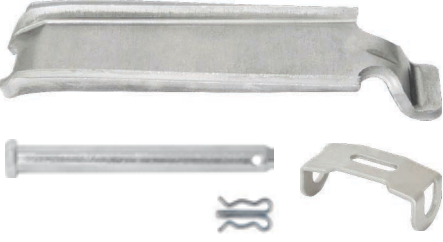
B TS2 3709/
4309 TYPE

TS2 3709 TYPE

|  | Caliper Roller Bearings | |
|---|--------------------------------|---------------|
| | CHEEFT NUMBER | CH5038 |
| | OEM NUMBER | |

|  | Caliper Calibration Bolt | |
|---|---------------------------------|---------------|
| | CHEEFT NUMBER | CH5048 |
| | OEM NUMBER | |

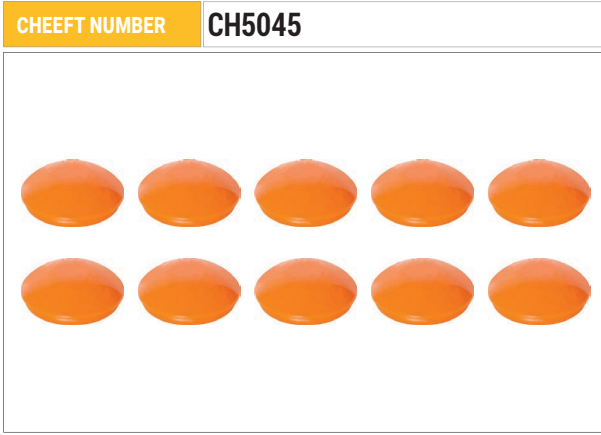
|  | Caliper Mechanism Repair Kit | |
|--|-------------------------------------|---------------|
| | CHEEFT NUMBER | CH5042 |
| | OEM NUMBER | |

|  | Caliper Pad Retainer Repair Kit | |
|---|--|--------------------------|
| | CHEEFT NUMBER | CH5044 |
| | OEM NUMBER | -B 09.801.08.70.0 |

|  | Caliper Pad Retainer Repair Kit | |
|---|--|---------------------------------------|
| | CHEEFT NUMBER | CH5046 |
| | OEM NUMBER | -09.801.08.70.0 0980108700 |

B TS2 3709/
4309 TYPE

TS2 3709 TYPE



| | |
|-------------------------|--------------------------|
| Caliper Plug Kit | |
| OEM NUMBER | -B 03.001.38.23.0 |

| NO | CHEEFT NO | DESCRIPTIONS | DIMENSION | QTY |
|----|---------------|--------------|-----------|-----|
| 1 | CH5565 | <i>Plug</i> | | 10 |



| | |
|-------------------------|--|
| Caliper Plug Kit | |
| OEM NUMBER | |

| NO | CHEEFT NO | DESCRIPTIONS | DIMENSION | QTY |
|----|---------------|--------------|-----------|-----|
| 1 | CH5567 | <i>Plug</i> | | 10 |

TS2 3709 TYPE



| NO | CHEEFT NO | DESCRIPTIONS | QTY |
|----|-----------|-------------------------------------|-----|
| 1 | CH5037 | Caliper Guides & Seals Repair Kit | 1 |
| 2 | CH5052 | Caliper Adjusting Mechanism Support | 1 |
| 3 | CH5050 | Caliper Cover Repair Kit (Right) | 1 |
| 4 | CH5048 | Caliper Calibration Bolt | 1 |
| 5 | CH5565 | Plug | 1 |

| NO | CHEEFT NO | DESCRIPTIONS | QTY |
|----|-----------|------------------------------|-----|
| 6 | CH5567 | Plug | 2 |
| 7 | CH5041 | Caliper Lever Repair Kit | 1 |
| 8 | CH5038 | Caliper Roller Bearings | 1 |
| 9 | CH5042 | Caliper Mechanism Repair Kit | 1 |



| NO | CHEEFT NO | DESCRIPTIONS | QTY |
|----|-----------|-------------------------------------|-----|
| 1 | CH5037 | Caliper Guides & Seals Repair Kit | 1 |
| 2 | CH5052 | Caliper Adjusting Mechanism Support | 1 |
| 3 | CH5049 | Caliper Cover Repair Kit (Left) | 1 |
| 4 | CH5048 | Caliper Calibration Bolt | 1 |
| 5 | CH5565 | Plug | 1 |

| NO | CHEEFT NO | DESCRIPTIONS | QTY |
|----|-----------|------------------------------|-----|
| 6 | CH5567 | Plug | 2 |
| 7 | CH5041 | Caliper Lever Repair Kit | 1 |
| 8 | CH5038 | Caliper Roller Bearings | 1 |
| 9 | CH5042 | Caliper Mechanism Repair Kit | 1 |

8 TS2 3709/
4309 TYPE

TS2 3709 TYPE



| NO | CHEEFT NO | DESCRIPTIONS | QTY | NO | CHEEFT NO | DESCRIPTIONS | QTY |
|----|-----------|-------------------------------------|-----|----|-----------|------------------------------|-----|
| 1 | CH5053 | Caliper Guides & Seals Repair Kit | 1 | 6 | CH5567 | Plug | 2 |
| 2 | CH5052 | Caliper Adjusting Mechanism Support | 1 | 7 | CH5041 | Caliper Lever Repair Kit | 1 |
| 3 | CH5050 | Caliper Cover Repair Kit (Right) | 1 | 8 | CH5038 | Caliper Roller Bearings | 1 |
| 4 | CH5048 | Caliper Calibration Bolt | 1 | 9 | CH5042 | Caliper Mechanism Repair Kit | 1 |
| 5 | CH5565 | Plug | 1 | | | | |



| NO | CHEEFT NO | DESCRIPTIONS | QTY | NO | CHEEFT NO | DESCRIPTIONS | QTY |
|----|-----------|-------------------------------------|-----|----|-----------|------------------------------|-----|
| 1 | CH5053 | Caliper Guides & Seals Repair Kit | 1 | 6 | CH5567 | Plug | 2 |
| 2 | CH5052 | Caliper Adjusting Mechanism Support | 1 | 7 | CH5041 | Caliper Lever Repair Kit | 1 |
| 3 | CH5049 | Caliper Cover Repair Kit (Left) | 1 | 8 | CH5038 | Caliper Roller Bearings | 1 |
| 4 | CH5048 | Caliper Calibration Bolt | 1 | 9 | CH5042 | Caliper Mechanism Repair Kit | 1 |
| 5 | CH5565 | Plug | 1 | | | | |

B TS2 3709/
4309 TYPE

B
TS2 4309 TYPE

B TS2 3709/
4309 TYPE

Always the Best...

B
TS2 4309 TYPE

Always the Best...

B
TS2 4309 TYPE

B TS2 3709/
4309 TYPE

Always the Best...

TS2 4309 TYPE

CHEEFT NUMBER CHS5037

Caliper Guides & Seals Repair Kit

OEM NUMBER -B 09.801.08.69.0

| NO | CHEEFT NO | DESCRIPTIONS | DIMENSION | QTY |
|----|-----------|----------------|--------------------|-----|
| 1 | CH5501 | Guide Pin | Ø37 x 123 mm | 1 |
| 2 | CH5504 | Guide Pin | Ø36,80 x 70 mm | 1 |
| 3 | CH5589 | Bolt | M16 x 1,5 x 103 mm | 1 |
| 4 | CH5588 | Bolt | M16 x 1,5 x 73 mm | 1 |
| 5 | CH5605 | Inner Boot | | 2 |
| 6 | CH5506 | Plastic Washer | | 2 |
| 7 | CH5507 | Bronze Bush | Ø41 x Ø37 x 73 mm | 1 |
| 8 | CH5575 | Bronze Bush | Ø41 x Ø37 x 34 mm | 1 |
| 9 | CH5510 | Plastic Cap | | 2 |
| 10 | CH5545 | O-ring | | 2 |
| 11 | CH5566 | Plug | | 1 |
| 12 | CH5518 | Pin Circlip | Ø43 x 1,5 mm | 1 |

CHEEFT NUMBER CH5049

Caliper Cover Repair Kit (Left)

OEM NUMBER

| NO | CHEEFT NO | DESCRIPTIONS | DIMENSION | QTY |
|----|-----------|------------------------|------------|-----|
| 1 | CH5584 | Cover (Left) | | 1 |
| 2 | CH1573 | Bolt | M8 x 16 mm | 6 |
| 3 | CH5577 | Rivet | | 2 |
| 4 | CH5574 | Tappet & Boot Assembly | | 1 |

CHEEFT NUMBER CH5050

Caliper Cover Repair Kit (Right)

OEM NUMBER

| NO | CHEEFT NO | DESCRIPTIONS | DIMENSION | QTY |
|----|-----------|------------------------|------------|-----|
| 1 | CH5585 | Cover (Right) | | 1 |
| 2 | CH1573 | Bolt | M8 x 16 mm | 6 |
| 3 | CH5577 | Rivet | | 2 |
| 4 | CH5574 | Tappet & Boot Assembly | | 1 |

B TS2 3709/
4309 TYPE

TS2 4309 TYPE



Caliper Bearing Repair Kit

OEM NUMBER

| NO | CHEEFT NO | DESCRIPTIONS | DIMENSION | QTY |
|----|---------------|-------------------------|-----------|-----|
| 1 | CH5038 | Caliper Roller Bearings | | 1 |
| 2 | CH5580 | Roller | | 2 |
| 3 | CH5581 | Roller Bush | | 2 |



Caliper Lever Repair Kit

OEM NUMBER

| NO | CHEEFT NO | DESCRIPTIONS | DIMENSION | QTY |
|----|---------------|------------------|-----------|-----|
| 1 | CH5586 | Lever (with Pin) | | 1 |
| 2 | CH5580 | Roller | | 2 |
| 3 | CH5581 | Roller Bush | | 2 |



Caliper Adjusting Mechanism Support

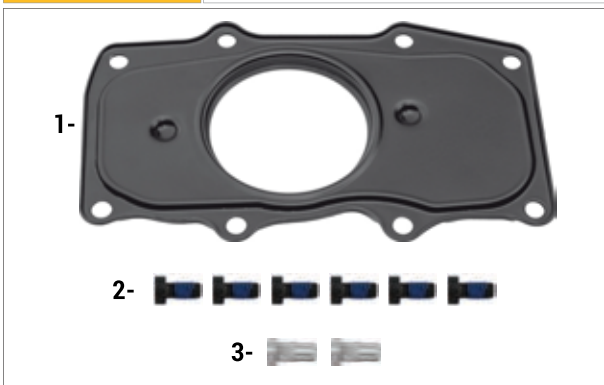
OEM NUMBER

| NO | CHEEFT NO | DESCRIPTIONS | DIMENSION | QTY |
|----|---------------|-------------------------|-----------|-----|
| 1 | CH5582 | Caliper Bridge Assembly | | 1 |
| 2 | CH5578 | Spring | | 2 |

B TS2 3709/
4309 TYPE

TS2 4309 TYPE

CHEEFT NUMBER CH5039



Caliper Cover Repair Kit (Left)

OEM NUMBER

| NO | CHEEFT NO | DESCRIPTIONS | DIMENSION | QTY |
|----|-----------|--------------|------------|-----|
| 1 | CH5584 | Cover (Left) | | 1 |
| 2 | CH1573 | Bolt | M8 x 16 mm | 6 |
| 3 | CH5577 | Rivet | | 2 |

CHEEFT NUMBER CH5040



Caliper Cover Repair Kit (Right)

OEM NUMBER

| NO | CHEEFT NO | DESCRIPTIONS | DIMENSION | QTY |
|----|-----------|---------------|------------|-----|
| 1 | CH5585 | Cover (Right) | | 1 |
| 2 | CH1573 | Bolt | M8 x 16 mm | 6 |
| 3 | CH5577 | Rivet | | 2 |



Caliper Roller Bearings

CHEEFT NUMBER CH5038

OEM NUMBER

B TS2 3709/
4309 TYPE

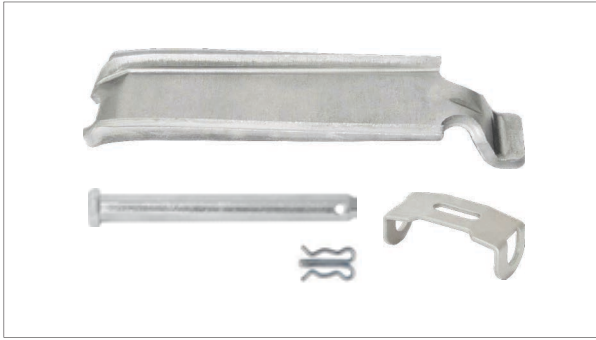
TS2 4309 TYPE



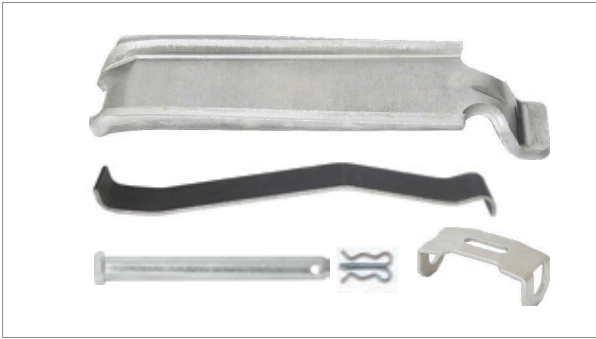
| Caliper Calibration Bolt | |
|---------------------------------|---------------|
| CHEEFT NUMBER | CH5048 |
| OEM NUMBER | |



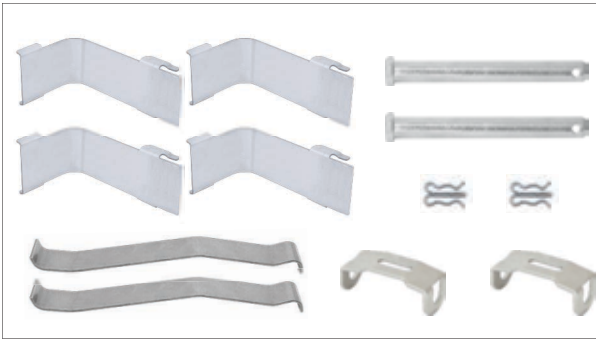
| Caliper Mechanism Repair Kit | |
|-------------------------------------|---------------|
| CHEEFT NUMBER | CH5042 |
| OEM NUMBER | |



| Caliper Pad Retainer Repair Kit | |
|--|--------------------------|
| CHEEFT NUMBER | CH5044 |
| OEM NUMBER | -B 09.801.08.70.0 |



| Caliper Pad Retainer Repair Kit | |
|--|---------------------------------------|
| CHEEFT NUMBER | CH5046 |
| OEM NUMBER | -09.801.08.70.0 0980108700 |

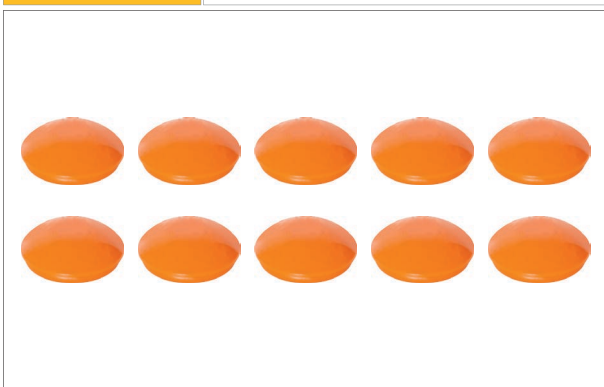


| Caliper Pad Retainer Repair Kit | |
|--|--|
| CHEEFT NUMBER | CH5056 |
| OEM NUMBER | - 05.801.04.45.0 0580104450 |

B TS2 3709/
4309 TYPE

TS2 4309 TYPE

CHEEFT NUMBER **CH5045**

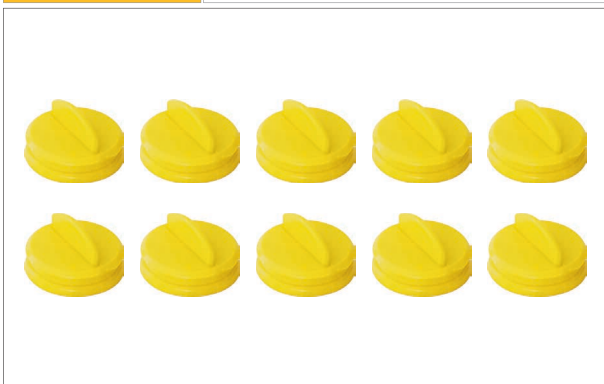


Caliper Plug Kit

OEM NUMBER **-B 03.001.38.23.0**

| NO | CHEEFT NO | DESCRIPTIONS | DIMENSION | QTY |
|----|---------------|--------------|-----------|-----|
| 1 | CH5565 | <i>Plug</i> | | 10 |

CHEEFT NUMBER **CH5047**



Caliper Plug Kit

OEM NUMBER

| NO | CHEEFT NO | DESCRIPTIONS | DIMENSION | QTY |
|----|---------------|--------------|-----------|-----|
| 1 | CH5567 | <i>Plug</i> | | 10 |

TS2 4309 TYPE



| NO | CHEEFT NO | DESCRIPTIONS | QTY |
|----|-----------|-------------------------------------|-----|
| 1 | CH5037 | Caliper Guides & Seals Repair Kit | 1 |
| 2 | CH5052 | Caliper Adjusting Mechanism Support | 1 |
| 3 | CH5050 | Caliper Cover Repair Kit (Right) | 1 |
| 4 | CH5048 | Caliper Calibration Bolt | 1 |
| 5 | CH5565 | Plug | 1 |

| NO | CHEEFT NO | DESCRIPTIONS | QTY |
|----|-----------|------------------------------|-----|
| 6 | CH5567 | Plug | 2 |
| 7 | CH5051 | Caliper Lever Repair Kit | 1 |
| 8 | CH5038 | Caliper Roller Bearings | 1 |
| 9 | CH5042 | Caliper Mechanism Repair Kit | 1 |



| NO | CHEEFT NO | DESCRIPTIONS | QTY |
|----|-----------|-------------------------------------|-----|
| 1 | CH5037 | Caliper Guides & Seals Repair Kit | 1 |
| 2 | CH5052 | Caliper Adjusting Mechanism Support | 1 |
| 3 | CH5049 | Caliper Cover Repair Kit (Left) | 1 |
| 4 | CH5048 | Caliper Calibration Bolt | 1 |
| 5 | CH5565 | Plug | 1 |

| NO | CHEEFT NO | DESCRIPTIONS | QTY |
|----|-----------|------------------------------|-----|
| 6 | CH5567 | Plug | 2 |
| 7 | CH5051 | Caliper Lever Repair Kit | 1 |
| 8 | CH5038 | Caliper Roller Bearings | 1 |
| 9 | CH5042 | Caliper Mechanism Repair Kit | 1 |

B TS2 3709/
4309 TYPE

TS2 4309 TYPE



| NO | CHEEFT NO | DESCRIPTIONS | QTY | NO | CHEEFT NO | DESCRIPTIONS | QTY |
|----|-----------|-------------------------------------|-----|----|-----------|---------------------------------|-----|
| 1 | CH5037 | Caliper Guides & Seals Repair Kit | 1 | 6 | CH5567 | Plug | 2 |
| 2 | CH5052 | Caliper Adjusting Mechanism Support | 1 | 7 | CH5051 | Caliper Lever Repair Kit | 1 |
| 3 | CH5050 | Caliper Cover Repair Kit (Right) | 1 | 8 | CH5046 | Caliper Pad Retainer Repair Kit | 1 |
| 4 | CH5048 | Caliper Calibration Bolt | 1 | 9 | CH5038 | Caliper Roller Bearings | 1 |
| 5 | CH5565 | Plug | 1 | 10 | CH5042 | Caliper Mechanism Repair Kit | 1 |



| NO | CHEEFT NO | DESCRIPTIONS | QTY | NO | CHEEFT NO | DESCRIPTIONS | QTY |
|----|-----------|-------------------------------------|-----|----|-----------|---------------------------------|-----|
| 1 | CH5037 | Caliper Guides & Seals Repair Kit | 1 | 6 | CH5567 | Plug | 2 |
| 2 | CH5052 | Caliper Adjusting Mechanism Support | 1 | 7 | CH5051 | Caliper Lever Repair Kit | 1 |
| 3 | CH5049 | Caliper Cover Repair Kit (Left) | 1 | 8 | CH5046 | Caliper Pad Retainer Repair Kit | 1 |
| 4 | CH5048 | Caliper Calibration Bolt | 1 | 9 | CH5038 | Caliper Roller Bearings | 1 |
| 5 | CH5565 | Plug | 1 | 10 | CH5042 | Caliper Mechanism Repair Kit | 1 |

B TS2 3709/
4309 TYPE

TS2 4309 TYPE



| NO | CHEEFT NO | DESCRIPTIONS | QTY |
|----|-----------|-------------------------------------|-----|
| 1 | CH5037 | Caliper Guides & Seals Repair Kit | 1 |
| 2 | CH5052 | Caliper Adjusting Mechanism Support | 1 |
| 3 | CH5050 | Caliper Cover Repair Kit (Right) | 1 |
| 4 | CH5048 | Caliper Calibration Bolt | 1 |
| 5 | CH5565 | Plug | 1 |

| NO | CHEEFT NO | DESCRIPTIONS | QTY |
|----|-----------|---------------------------------|-----|
| 6 | CH5567 | Plug | 2 |
| 7 | CH5041 | Caliper Lever Repair Kit | 1 |
| 8 | CH5046 | Caliper Pad Retainer Repair Kit | 1 |
| 9 | CH5038 | Caliper Roller Bearings | 1 |
| 10 | CH5042 | Caliper Mechanism Repair Kit | 1 |



| NO | CHEEFT NO | DESCRIPTIONS | QTY |
|----|-----------|-------------------------------------|-----|
| 1 | CH5037 | Caliper Guides & Seals Repair Kit | 1 |
| 2 | CH5052 | Caliper Adjusting Mechanism Support | 1 |
| 3 | CH5049 | Caliper Cover Repair Kit (Left) | 1 |
| 4 | CH5048 | Caliper Calibration Bolt | 1 |
| 5 | CH5565 | Plug | 1 |

| NO | CHEEFT NO | DESCRIPTIONS | QTY |
|----|-----------|---------------------------------|-----|
| 6 | CH5567 | Plug | 2 |
| 7 | CH5041 | Caliper Lever Repair Kit | 1 |
| 8 | CH5046 | Caliper Pad Retainer Repair Kit | 1 |
| 9 | CH5038 | Caliper Roller Bearings | 1 |
| 10 | CH5042 | Caliper Mechanism Repair Kit | 1 |

B TS2 3709/
4309 TYPE

B
SETS

Always the Best...

B
SETS

B SETS

Always the Best...

SETS

Caliper Repair Set (without Pin)

CHEEFT NUMBER

CHS5001



| NO | CHEEFT NO | DESCRIPTIONS | QTY |
|----|-----------|-----------------------------------|-----|
| 1 | CH5003 | Caliper Guides & Seals Repair Kit | 1 |
| 2 | CH5018 | Adjusting Mechanism | 1 |
| 3 | CH5526 | Plug | 2 |
| 4 | CH5035 | Caliper Mechanism Set | 1 |

Caliper Repair Set (with Pin)




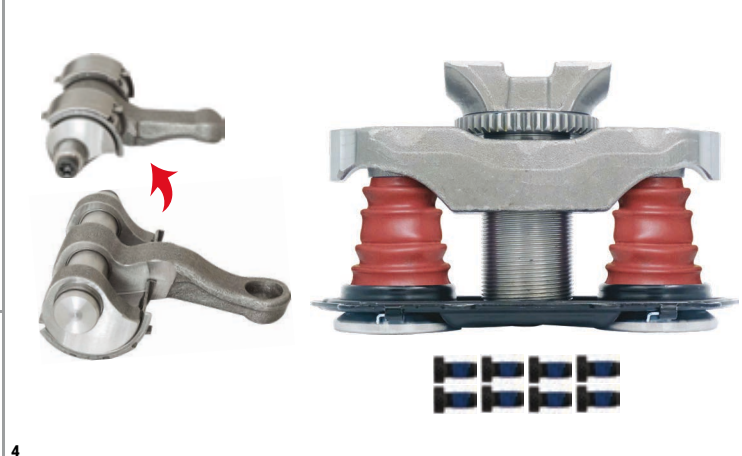
CHEEFT NUMBER

CHS5002




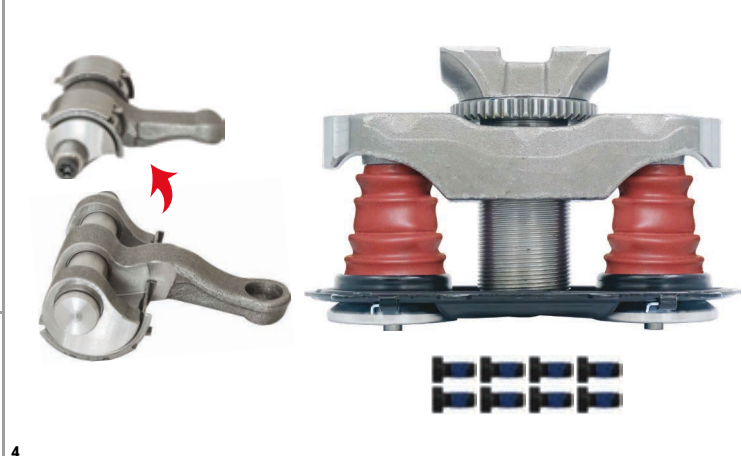


| NO | CHEEFT NO | DESCRIPTIONS | QTY |
|----|-----------|-----------------------------------|-----|
| 1 | CH5003 | Caliper Guides & Seals Repair Kit | 1 |
| 2 | CH5018 | Adjusting Mechanism | 1 |
| 3 | CH5526 | Plug | 2 |
| 4 | CH5032 | Caliper Mechanism Set | 1 |

SETS

| | | | | |
|--|--|--|---|----------------|
| Caliper Repair Set (without Pin - New Model) | | | CHEEFT NUMBER | CHS5003 |
|  <p>1</p> |  <p>2</p> |  <p>3</p> |  <p>4</p> | |

| NO | CHEEFT NO | DESCRIPTIONS | QTY |
|----|-----------|-----------------------------------|-----|
| 1 | CH5003 | Caliper Guides & Seals Repair Kit | 1 |
| 2 | CH5018 | Adjusting Mechanism | 1 |
| 3 | CH5526 | Plug | 2 |
| 4 | CH5036 | Caliper Mechanism Set | 1 |

| | | | | |
|--|--|--|---|----------------|
| Caliper Repair Set (with Pin - New Model) | | | CHEEFT NUMBER | CHS5004 |
|  <p>1</p> |  <p>2</p> |  <p>3</p> |  <p>4</p> | |

| NO | CHEEFT NO | DESCRIPTIONS | QTY |
|----|-----------|-----------------------------------|-----|
| 1 | CH5003 | Caliper Guides & Seals Repair Kit | 1 |
| 2 | CH5018 | Adjusting Mechanism | 1 |
| 3 | CH5526 | Plug | 2 |
| 4 | CH5033 | Caliper Mechanism Set | 1 |

B SETS

SETS

| | | | | | |
|-----------------------------------|--|--|--|----------------------|----------------|
| Caliper Repair Set (Right) | | | | CHEEFT NUMBER | CHS5005 |
| | | | | | |
| | | | | | |

| NO | CHEEFT NO | DESCRIPTIONS | QTY | NO | CHEEFT NO | DESCRIPTIONS | QTY |
|----|-----------|-------------------------------------|-----|----|-----------|------------------------------|-----|
| 1 | CH5037 | Caliper Guides & Seals Repair Kit | 1 | 6 | CH5567 | Plug | 2 |
| 2 | CH5052 | Caliper Adjusting Mechanism Support | 1 | 7 | CH5051 | Caliper Lever Repair Kit | 1 |
| 3 | CH5050 | Caliper Cover Repair Kit (Right) | 1 | 8 | CH5038 | Caliper Roller Bearings | 1 |
| 4 | CH5048 | Caliper Calibration Bolt | 1 | 9 | CH5042 | Caliper Mechanism Repair Kit | 1 |
| 5 | CH5565 | Plug | 1 | | | | |

| | | | | | |
|----------------------------------|--|--|--|----------------------|----------------|
| Caliper Repair Set (Left) | | | | CHEEFT NUMBER | CHS5006 |
| | | | | | |
| | | | | | |

| NO | CHEEFT NO | DESCRIPTIONS | QTY | NO | CHEEFT NO | DESCRIPTIONS | QTY |
|----|-----------|-------------------------------------|-----|----|-----------|------------------------------|-----|
| 1 | CH5037 | Caliper Guides & Seals Repair Kit | 1 | 6 | CH5567 | Plug | 2 |
| 2 | CH5052 | Caliper Adjusting Mechanism Support | 1 | 7 | CH5051 | Caliper Lever Repair Kit | 1 |
| 3 | CH5049 | Caliper Cover Repair Kit (Left) | 1 | 8 | CH5038 | Caliper Roller Bearings | 1 |
| 4 | CH5048 | Caliper Calibration Bolt | 1 | 9 | CH5042 | Caliper Mechanism Repair Kit | 1 |
| 5 | CH5565 | Plug | 1 | | | | |

B SETS

SETS



| NO | CHEEFT NO | DESCRIPTIONS | QTY |
|----|-----------|-------------------------------------|-----|
| 1 | CH5037 | Caliper Guides & Seals Repair Kit | 1 |
| 2 | CH5052 | Caliper Adjusting Mechanism Support | 1 |
| 3 | CH5050 | Caliper Cover Repair Kit (Right) | 1 |
| 4 | CH5048 | Caliper Calibration Bolt | 1 |
| 5 | CH5565 | Plug | 1 |

| NO | CHEEFT NO | DESCRIPTIONS | QTY |
|----|-----------|------------------------------|-----|
| 6 | CH5567 | Plug | 2 |
| 7 | CH5041 | Caliper Lever Repair Kit | 1 |
| 8 | CH5038 | Caliper Roller Bearings | 1 |
| 9 | CH5042 | Caliper Mechanism Repair Kit | 1 |



| NO | CHEEFT NO | DESCRIPTIONS | QTY |
|----|-----------|-------------------------------------|-----|
| 1 | CH5037 | Caliper Guides & Seals Repair Kit | 1 |
| 2 | CH5052 | Caliper Adjusting Mechanism Support | 1 |
| 3 | CH5049 | Caliper Cover Repair Kit (Left) | 1 |
| 4 | CH5048 | Caliper Calibration Bolt | 1 |
| 5 | CH5565 | Plug | 1 |

| NO | CHEEFT NO | DESCRIPTIONS | QTY |
|----|-----------|------------------------------|-----|
| 6 | CH5567 | Plug | 2 |
| 7 | CH5041 | Caliper Lever Repair Kit | 1 |
| 8 | CH5038 | Caliper Roller Bearings | 1 |
| 9 | CH5042 | Caliper Mechanism Repair Kit | 1 |

B SETS

SETS

| Caliper Repair Set (Right) | | | | CHEEFT NUMBER | CHS5009 |
|----------------------------|--|--|--|---------------|---------|
| | | | | | |
| | | | | | |

| NO | CHEEFT NO | DESCRIPTIONS | QTY | NO | CHEEFT NO | DESCRIPTIONS | QTY |
|----|-----------|-------------------------------------|-----|----|-----------|------------------------------|-----|
| 1 | CH5053 | Caliper Guides & Seals Repair Kit | 1 | 6 | CH5567 | Plug | 2 |
| 2 | CH5052 | Caliper Adjusting Mechanism Support | 1 | 7 | CH5041 | Caliper Lever Repair Kit | 1 |
| 3 | CH5050 | Caliper Cover Repair Kit (Right) | 1 | 8 | CH5038 | Caliper Roller Bearings | 1 |
| 4 | CH5048 | Caliper Calibration Bolt | 1 | 9 | CH5042 | Caliper Mechanism Repair Kit | 1 |
| 5 | CH5565 | Plug | 1 | | | | |

| Caliper Repair Set (Left) | | | | CHEEFT NUMBER | CHS5010 |
|---------------------------|--|--|--|---------------|---------|
| | | | | | |
| | | | | | |

| NO | CHEEFT NO | DESCRIPTIONS | QTY | NO | CHEEFT NO | DESCRIPTIONS | QTY |
|----|-----------|-------------------------------------|-----|----|-----------|------------------------------|-----|
| 1 | CH5053 | Caliper Guides & Seals Repair Kit | 1 | 6 | CH5567 | Plug | 2 |
| 2 | CH5052 | Caliper Adjusting Mechanism Support | 1 | 7 | CH5041 | Caliper Lever Repair Kit | 1 |
| 3 | CH5049 | Caliper Cover Repair Kit (Left) | 1 | 8 | CH5038 | Caliper Roller Bearings | 1 |
| 4 | CH5048 | Caliper Calibration Bolt | 1 | 9 | CH5042 | Caliper Mechanism Repair Kit | 1 |
| 5 | CH5565 | Plug | 1 | | | | |

B SETS

SETS



| NO | CHEEFT NO | DESCRIPTIONS | QTY | NO | CHEEFT NO | DESCRIPTIONS | QTY |
|----|-----------|-------------------------------------|-----|----|-----------|---------------------------------|-----|
| 1 | CH5037 | Caliper Guides & Seals Repair Kit | 1 | 6 | CH5567 | Plug | 2 |
| 2 | CH5052 | Caliper Adjusting Mechanism Support | 1 | 7 | CH5051 | Caliper Lever Repair Kit | 1 |
| 3 | CH5050 | Caliper Cover Repair Kit (Right) | 1 | 8 | CH5046 | Caliper Pad Retainer Repair Kit | 1 |
| 4 | CH5048 | Caliper Calibration Bolt | 1 | 9 | CH5038 | Caliper Roller Bearings | 1 |
| 5 | CH5565 | Plug | 1 | 10 | CH5042 | Caliper Mechanism Repair Kit | 1 |



| NO | CHEEFT NO | DESCRIPTIONS | QTY | NO | CHEEFT NO | DESCRIPTIONS | QTY |
|----|-----------|-------------------------------------|-----|----|-----------|---------------------------------|-----|
| 1 | CH5037 | Caliper Guides & Seals Repair Kit | 1 | 6 | CH5567 | Plug | 2 |
| 2 | CH5052 | Caliper Adjusting Mechanism Support | 1 | 7 | CH5051 | Caliper Lever Repair Kit | 1 |
| 3 | CH5049 | Caliper Cover Repair Kit (Left) | 1 | 8 | CH5046 | Caliper Pad Retainer Repair Kit | 1 |
| 4 | CH5048 | Caliper Calibration Bolt | 1 | 9 | CH5038 | Caliper Roller Bearings | 1 |
| 5 | CH5565 | Plug | 1 | 10 | CH5042 | Caliper Mechanism Repair Kit | 1 |

B SETS

SETS

| | | | | | |
|-----------------------------------|--|--|--|----------------------|----------------|
| Caliper Repair Set (Right) | | | | CHEEFT NUMBER | CHS5013 |
| | | | | | |
| | | | | | |
| | | | | | |
| | | | | | |
| | | | | | |

| NO | CHEEFT NO | DESCRIPTIONS | QTY | NO | CHEEFT NO | DESCRIPTIONS | QTY |
|----|-----------|-------------------------------------|-----|----|-----------|---------------------------------|-----|
| 1 | CH5037 | Caliper Guides & Seals Repair Kit | 1 | 6 | CH5567 | Plug | 2 |
| 2 | CH5052 | Caliper Adjusting Mechanism Support | 1 | 7 | CH5041 | Caliper Lever Repair Kit | 1 |
| 3 | CH5050 | Caliper Cover Repair Kit (Right) | 1 | 8 | CH5046 | Caliper Pad Retainer Repair Kit | 1 |
| 4 | CH5048 | Caliper Calibration Bolt | 1 | 9 | CH5038 | Caliper Roller Bearings | 1 |
| 5 | CH5565 | Plug | 1 | 10 | CH5042 | Caliper Mechanism Repair Kit | 1 |

| | | | | | |
|----------------------------------|--|--|--|----------------------|----------------|
| Caliper Repair Set (Left) | | | | CHEEFT NUMBER | CHS5014 |
| | | | | | |
| | | | | | |
| | | | | | |
| | | | | | |
| | | | | | |

| NO | CHEEFT NO | DESCRIPTIONS | QTY | NO | CHEEFT NO | DESCRIPTIONS | QTY |
|----|-----------|-------------------------------------|-----|----|-----------|---------------------------------|-----|
| 1 | CH5037 | Caliper Guides & Seals Repair Kit | 1 | 6 | CH5567 | Plug | 2 |
| 2 | CH5052 | Caliper Adjusting Mechanism Support | 1 | 7 | CH5041 | Caliper Lever Repair Kit | 1 |
| 3 | CH5049 | Caliper Cover Repair Kit (Left) | 1 | 8 | CH5046 | Caliper Pad Retainer Repair Kit | 1 |
| 4 | CH5048 | Caliper Calibration Bolt | 1 | 9 | CH5038 | Caliper Roller Bearings | 1 |
| 5 | CH5565 | Plug | 1 | 10 | CH5042 | Caliper Mechanism Repair Kit | 1 |

B SETS

SETS

| Brake Caliper Pad Repair Kit (Without Pin) | | | CHEEFT NUMBER | CHS5015 |
|--|--|---|---------------|---------|
| 1 | | 4 | | |
| 2 | | 3 | | |




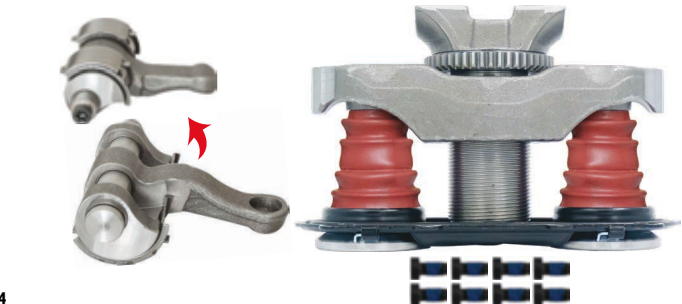

| NO | CHEEFT NO | DESCRIPTIONS | QTY |
|----|-----------|-----------------------------------|-----|
| 1 | CH5003 | Caliper Guides & Seals Repair Kit | 1 |
| 2 | CH5018 | Adjusting Mechanism | 1 |
| 3 | CH5526 | Plug | 2 |
| 4 | CH5035 | Caliper Mechanism Set | 1 |
| 3 | CH5026 | Caliper Pad Retainer Repair Kit | 1 |

| Brake Caliper Pad Repair Kit (With Pin) | | | CHEEFT NUMBER | CHS5016 |
|---|--|---|---------------|---------|
| 1 | | 4 | | |
| 2 | | 3 | | |




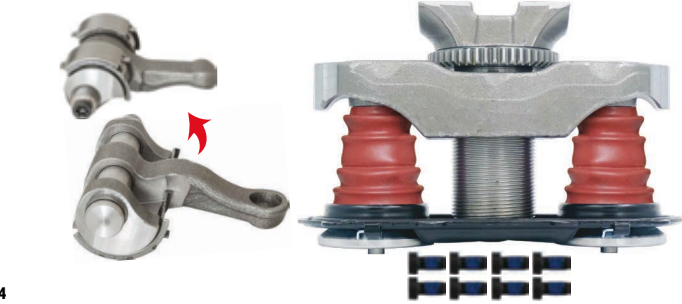

| NO | CHEEFT NO | DESCRIPTIONS | QTY |
|----|-----------|-----------------------------------|-----|
| 1 | CH5003 | Caliper Guides & Seals Repair Kit | 1 |
| 2 | CH5018 | Adjusting Mechanism | 1 |
| 3 | CH5526 | Plug | 2 |
| 4 | CH5032 | Caliper Mechanism Set | 1 |
| 3 | CH5026 | Caliper Pad Retainer Repair Kit | 1 |

B SETS

SETS

| | | | | |
|---|---|---|--|--|
| Brake Caliper Pad Repair Kit (With Pin) | | | CHEEFT NUMBER | CHS5017 |
|  |  |  |  |  |

| NO | CHEEFT NO | DESCRIPTIONS | QTY |
|----|-----------|-----------------------------------|-----|
| 1 | CH5003 | Caliper Guides & Seals Repair Kit | 1 |
| 2 | CH5018 | Adjusting Mechanism | 1 |
| 3 | CH5526 | Plug | 2 |
| 4 | CH5036 | Caliper Mechanism Set | 1 |
| 5 | CH5026 | Caliper Pad Retainer Repair Kit | 1 |

| | | | | |
|---|---|---|--|--|
| Brake Caliper Pad Repair Kit (With Pin) | | | CHEEFT NUMBER | CHS5018 |
|  |  |  |  |  |

| NO | CHEEFT NO | DESCRIPTIONS | QTY |
|----|-----------|-----------------------------------|-----|
| 1 | CH5003 | Caliper Guides & Seals Repair Kit | 1 |
| 2 | CH5018 | Adjusting Mechanism | 1 |
| 3 | CH5526 | Plug | 2 |
| 4 | CH5033 | Caliper Mechanism Set | 1 |
| 5 | CH5026 | Caliper Pad Retainer Repair Kit | 1 |

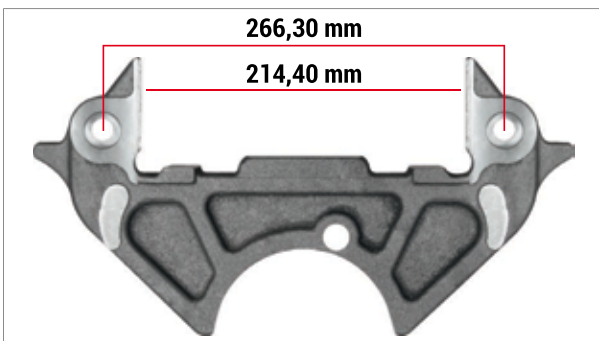
B SETS

B
CARRIERS

B CARRIERS

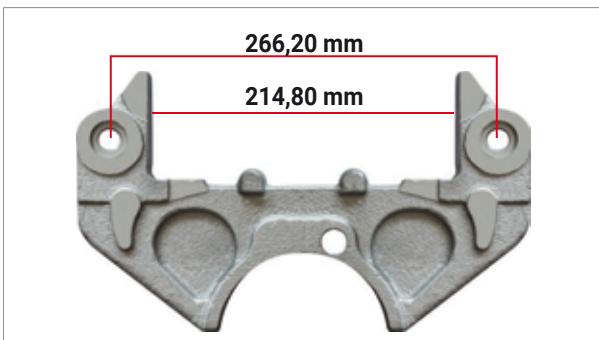
Always the Best...

TSB 4312 12 TON AXLE (WITHOUT PIN) TYPE



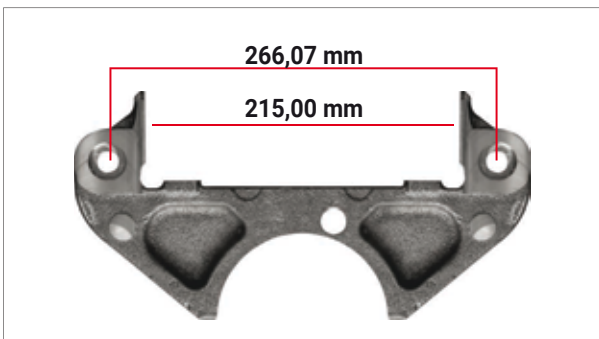
Caliper Carrier (22 / 228 brake pads)

| | |
|---------------|---------------|
| CHEEFT NUMBER | CH5300 |
| OEM NUMBER | |



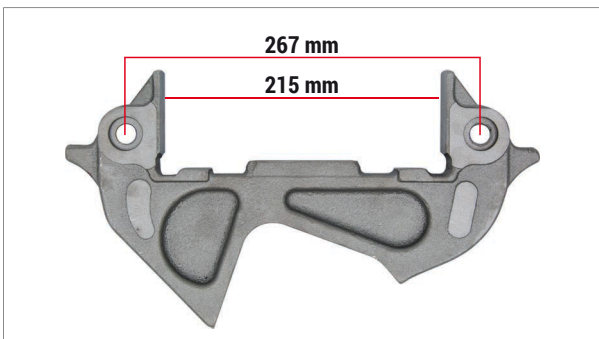
Caliper Carrier (22 New Model)

| | |
|---------------|---------------|
| CHEEFT NUMBER | CH5301 |
| OEM NUMBER | |



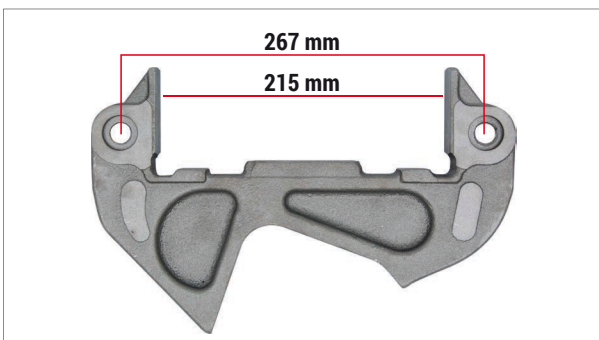
Caliper Carrier (19 / 227 brake pads)

| | |
|---------------|---------------|
| CHEEFT NUMBER | CH5302 |
| OEM NUMBER | |



Caliper Carrier

| | |
|---------------|-----------------------|
| CHEEFT NUMBER | CH5303 |
| OEM NUMBER | 01.101.56.01.0 |



Caliper Carrier

| | |
|---------------|-----------------------|
| CHEEFT NUMBER | CH5304 |
| OEM NUMBER | 01.101.56.01.0 |

B CARRIERS

B
COMPLETE
CALIPER

B COMPLETE
CALIPER

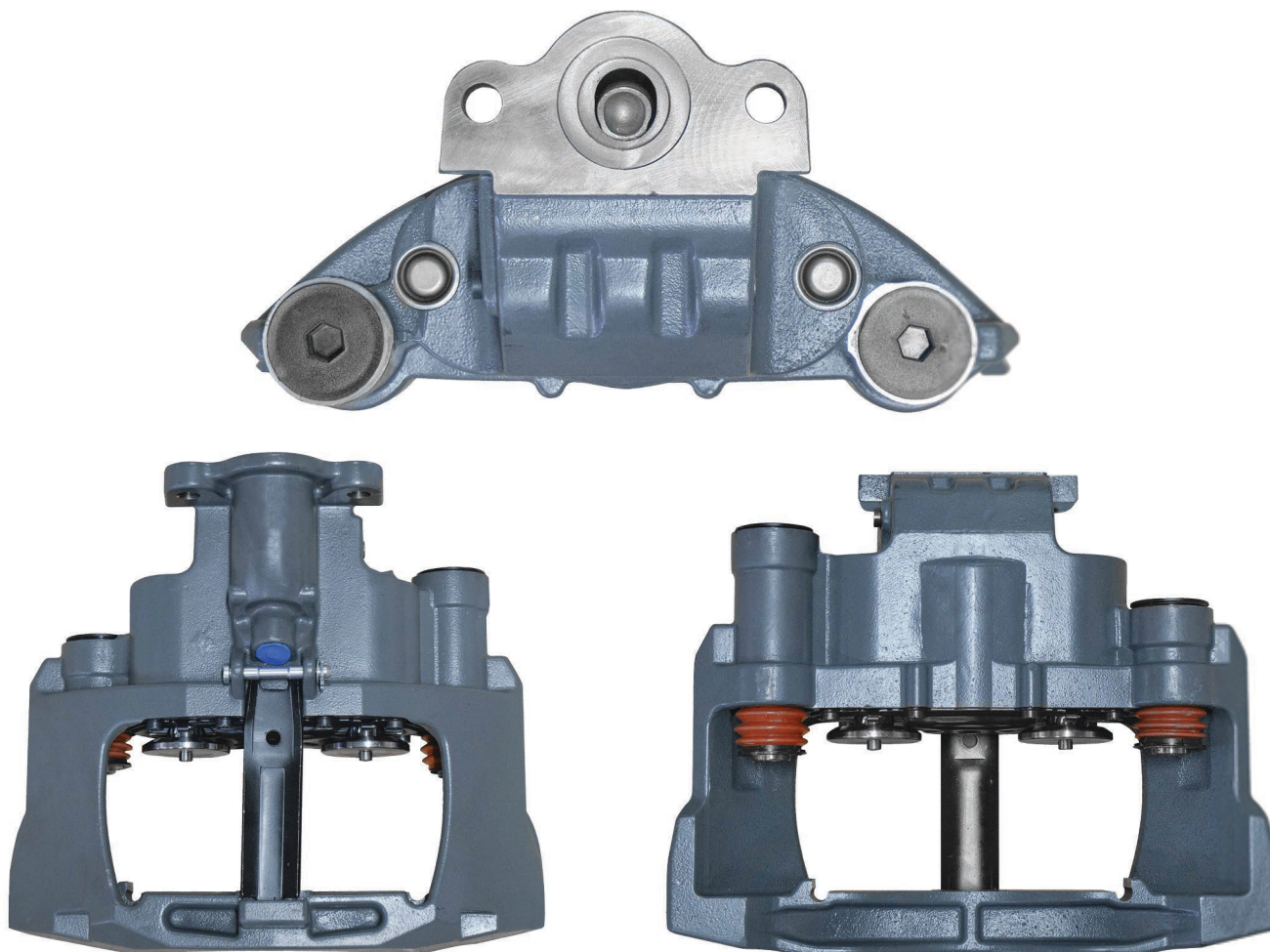
Always the Best...

COMPLETE CALIPER

Complete Brake Caliper

**CHEEFT
NUMBER**

CHF5083



B.V 22 - TSB 4309 - Right

/ CALIPER SETS

| OEM NUMBER | |
|------------|------------|
| OEM | OEM |
| 0936272120 | 0936272020 |
| 0536272020 | 0936272121 |
| | 0936272021 |

| | |
|------------------------|---|
| CARRIER | : |
| ADDITIONAL INFO | : |

Brake Caliper Pad Repair Kit (Without Pin)
CHS5015

Brake Caliper Pad Repair Kit (With Pin)
CHS5016

Brake Caliper Pad Repair Kit (Without Pin)
CHS5017

Brake Caliper Pad Repair Kit (With Pin)
CHS5018

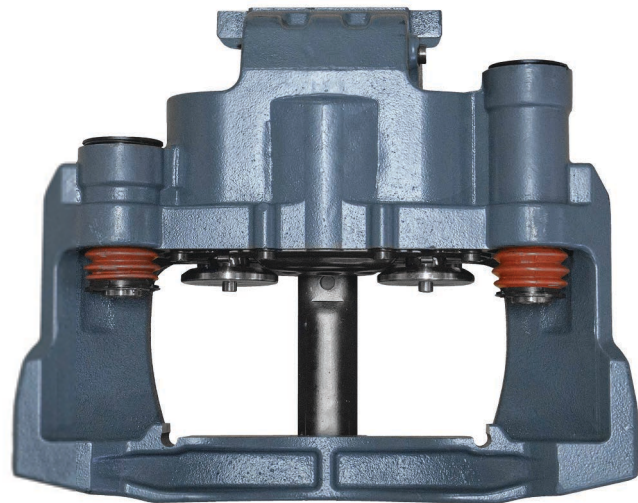
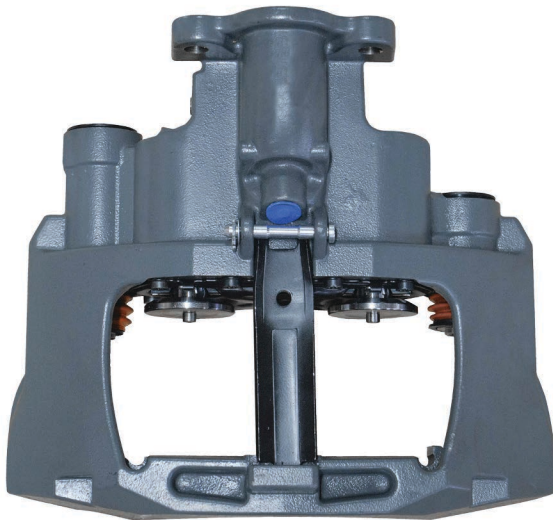
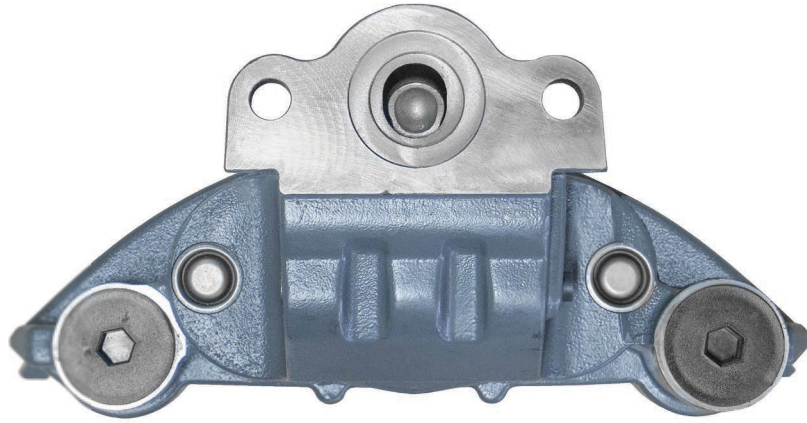
B COMPLETE CALIPER

COMPLETE CALIPER

Complete Brake Caliper

**CHEEFT
NUMBER**

CHF5084



CALIPER SETS /

B.V 22 - TSB 4309 - Left

Brake Caliper Pad Repair Kit (Without Pin)
CHS5017

Brake Caliper Pad Repair Kit (With Pin)
CHS5016

Brake Caliper Pad Repair Kit (Without Pin)
CHS5015

Brake Caliper Pad Repair Kit (With Pin)
CHS5018

OEM NUMBER

| OEM | OEM |
|------------|------------|
| 0936272110 | 0936272111 |
| 0536272010 | 0936272011 |

CARRIER :

ADDITIONAL INFO :

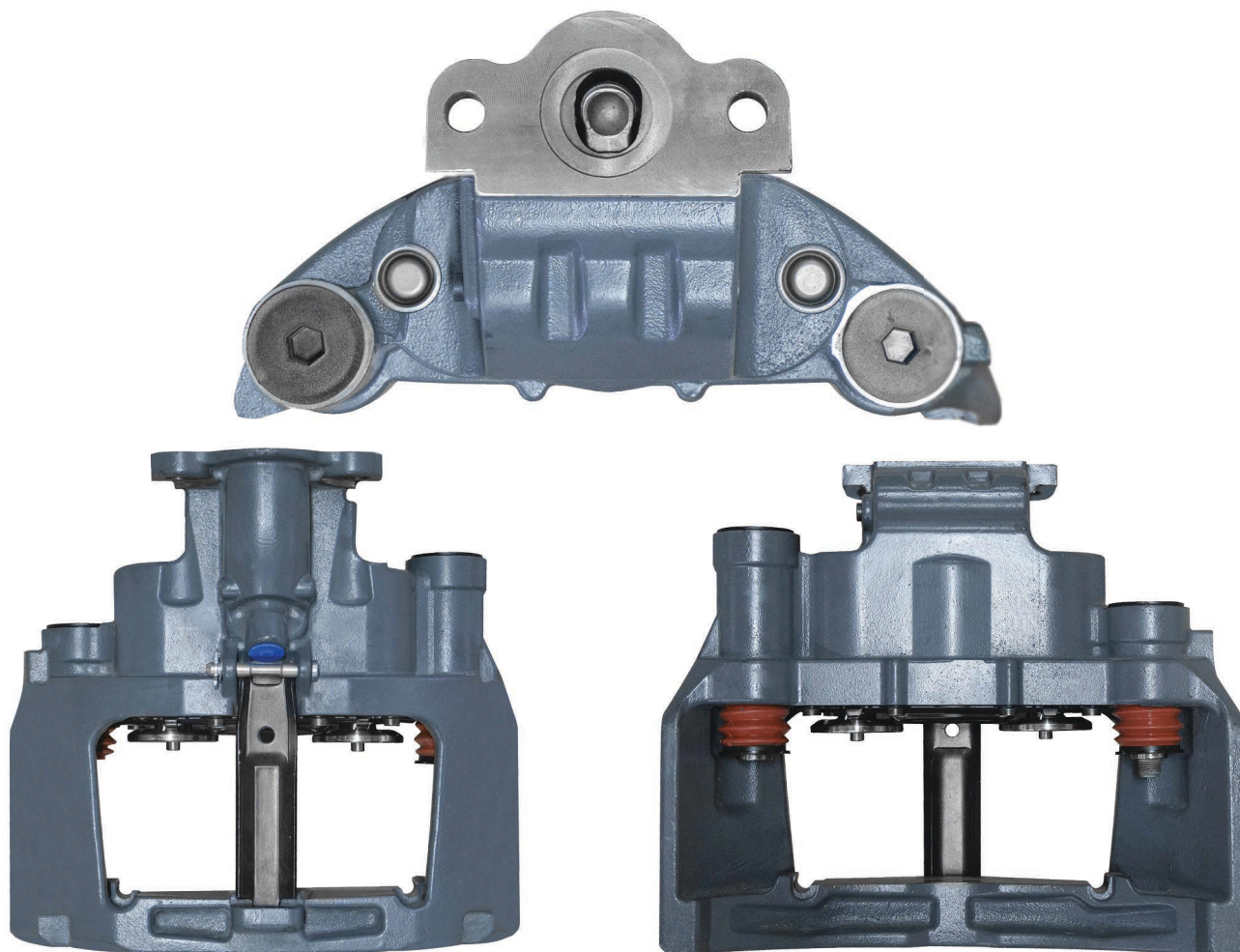
B COMPLETE CALIPER

COMPLETE CALIPER

Complete Brake Caliper

**CHEEFT
NUMBER**

CHF5087



B.V 19,5 - TSB 3709 - Right

/ CALIPER SETS

| OEM NUMBER | |
|------------|------------|
| OEM | OEM |
| 0536272060 | 0936272141 |
| 0936272060 | 0936272040 |
| 0936272160 | 0536272040 |
| | 0936272140 |
| | 0936272041 |

| | |
|------------------------|---|
| CARRIER | : |
| ADDITIONAL INFO | : |

Brake Caliper Pad Repair Kit (Without Pin)
CHS5015

Brake Caliper Pad Repair Kit (With Pin)
CHS5016

Brake Caliper Pad Repair Kit (Without Pin)
CHS5017

Brake Caliper Pad Repair Kit (With Pin)
CHS5018

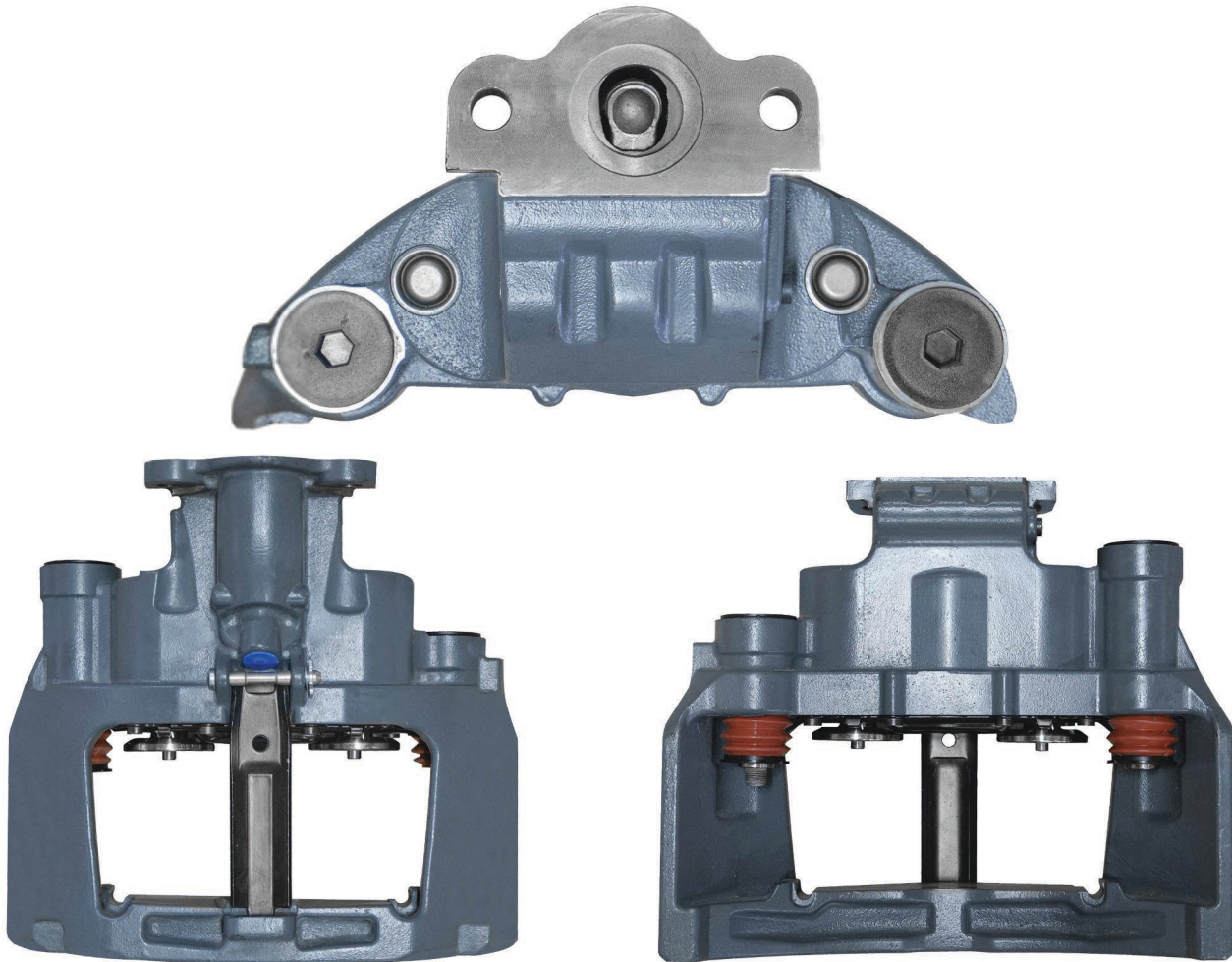
B COMPLETE CALIPER

COMPLETE CALIPER

Complete Brake Caliper

**CHEEFT
NUMBER**

CHF5088



CALIPER SETS /

B.V 19,5 - TSB 3709 - Left

Brake Caliper Pad Repair Kit (Without Pin)
CHS5017

Brake Caliper Pad Repair Kit (With Pin)
CHS5016

Brake Caliper Pad Repair Kit (Without Pin)
CHS5015

Brake Caliper Pad Repair Kit (With Pin)
CHS5018

| OEM NUMBER | |
|------------------------|------------|
| OEM | OEM |
| TSB 3709 | 0936272030 |
| 227 brake pad | 0936272131 |
| 0936272130 | 0936272031 |
| 0536272030 | |
| CARRIER | : |
| ADDITIONAL INFO | : |

B COMPLETE CALIPER

COMPLETE CALIPER

Complete Brake Caliper

**CHEEFT
NUMBER**

CHF5091



B.V 22 - Brake Pad Number TS2 4309 - Right

/ CALIPER SETS

| OEM NUMBER | |
|------------------------|------------|
| B | OEM |
| 05.362.72.22.0 | |
| CARRIER | : |
| ADDITIONAL INFO | : |



B COMPLETE CALIPER

COMPLETE CALIPER

Complete Brake Caliper

**CHEEFT
NUMBER**

CHF5092



CALIPER SETS /

B.V 22 Brake Pad Number TS2 4309 - Left



| OEM NUMBER | |
|-----------------|----------------|
| OEM | OEM |
| | 05.362.72.22.0 |
| CARRIER | : |
| ADDITIONAL INFO | : |

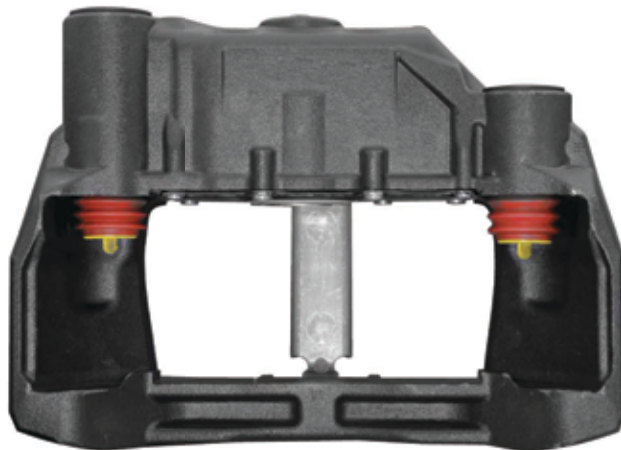
B COMPLETE CALIPER

COMPLETE CALIPER

Complete Brake Caliper

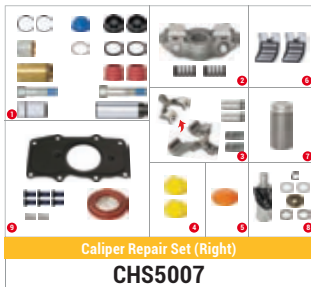
CHEEFT NUMBER

CHF5093



B.V 22 - Brake Pad Number TS2 3709 - Right / CALIPER SETS

| OEM NUMBER | |
|-----------------|-----|
| OEM | OEM |
| | |
| CARRIER | : |
| ADDITIONAL INFO | : |



B COMPLETE CALIPER

COMPLETE CALIPER

Complete Brake Caliper

**CHEEFT
NUMBER**

CHF5094



CALIPER SETS /

B.V 22 Brake Pad Number TS2 3709 - Left



| OEM NUMBER | |
|-----------------|-----|
| OEM | OEM |
| | |
| CARRIER | : |
| ADDITIONAL INFO | : |

B COMPLETE CALIPER